

ETCB Utility Drill Driven Hoist

Range from 3t (single fall), 6t (2 fall),
and 10t (3 fall) capacity

Introducing the ETCB Utility Drill-Driven Chain Hoist—engineered for excellence in the most demanding industrial environments. Crafted from premium Taiwanese ingenuity, this hoist combines lightweight agility with rugged durability, delivering a powerhouse performance in a compact form.

Designed specifically for tight and challenging spaces where traditional hand chain hoists fall short, the ETCB seamlessly integrates with your cordless drill. This innovative solution eliminates the cumbersome hand chain, enabling smooth, efficient operation in both lifting and lowering applications.

Perfect for mid-air tensioning, maneuvering on gang planks, and navigating restricted areas, the ETCB stands as a testament to Tiger's cutting-edge engineering. Elevate your workflow with a hoist built to handle the unique demands of specialty work—reliably and effortlessly.



- **Never** use electric or air – “**Impact drivers.**”
- We suggest using a drill with a **maximum 2600 rpm** to operate this unit.
- We recommend at least 18V (cordless drill), minimum: 500W and suggest to use the brand/ models of drill as below: (Makita / DDF486Z, Makita / DF001GZ)
- DNV GL Verification tested according to NORSOK R-002
- Comes as standard with slipping clutch overload protection
- Range from 3t (single fall), 6t (2 fall), and 10t (3 fall) capacity
- Available with forged clevis adaptor components
- Patented Quad Cam Pawl System
- Certified 2% light load protection
- Rugged steel body construction, yet lightweight and portable
- Double cover protection for brake chamber
- Heat treated alloy steel triple spur gears and pinion shaft
- Also available with corrosion resistant load chain
- Available with load bearing swivel hooks to meet relevant standards i.e. AS 1418.2
- These units meet and exceed all the requirements within BS EN 13157:2004+A1:2009, ANSI/ASME B30.16, AS1418.2 and SANS 1594.
- Operating temps -40°C - +80°C

Tiger Lifting North America, Inc.

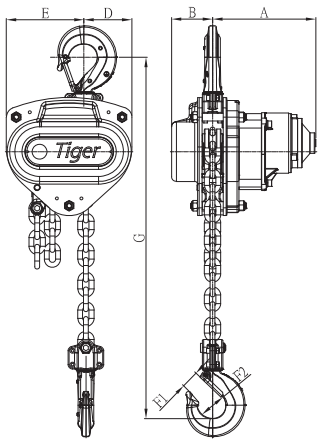
38381 N. Robert Wilson Road | Gonzales, Louisiana 70737
Telephone: 225.647.1312 | Toll-Free: 833.681.3057
Fax: 225.647.1322 | sales@tigerliftingna.com



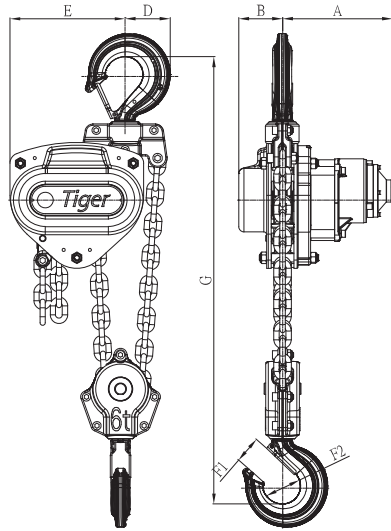
Tiger

MADE IN TAIWAN | tigerliftingna.com

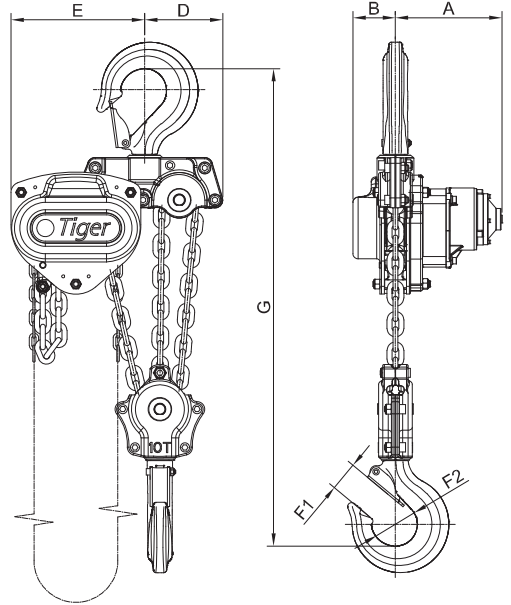
REF XX



3 ton



6 ton



10 ton

Product Code	Capacity (tons, T)	Motor speed (MAX) (r/min)	Lifting speed (ft/min)	Brush-less Drill Driver (ft/lbs)	Dimensions (mm, in)						Load Chain		Std. Lift (ft)	Unit weight w/ standard lift (lb)	Adder weight per additional ft of lift (lb)	
					A	B	D	E	F1	F2	G	Diameter (mm)				No. of falls
ETCB-0300	3.0, 3.3	2600	2.35	50 18V+	227.5, 8.9	84, 3.3	98, 3.9	157, 6.2	36, 1.4	56, 2.2	500, 19.7	10x30	1	10	66	1.46
ETCB-0600	6.0, 6.6	2600	1.17	50 18V+	226, 8.9	84, 3.3	86, 3.4	220, 8.7	49, 1.9	70, 2.8	635, 25.0	10x30	2	10	97	2.92
ETCB-1000	10.0, 11.0	2600	0.78	66 18V+	226, 8.9	84, 3.3	153, 6.0	263, 10.4	54, 2.1	87, 3.4	660, 26.0	10x30	3	10	126	4.4