

» Wide Clamping Type

UGC-M

LIFTING CLAMP FOR CONCRETE MATERIAL (Adjustable Clamp Range Type)

CHECK!



Operation manual & parts drawing

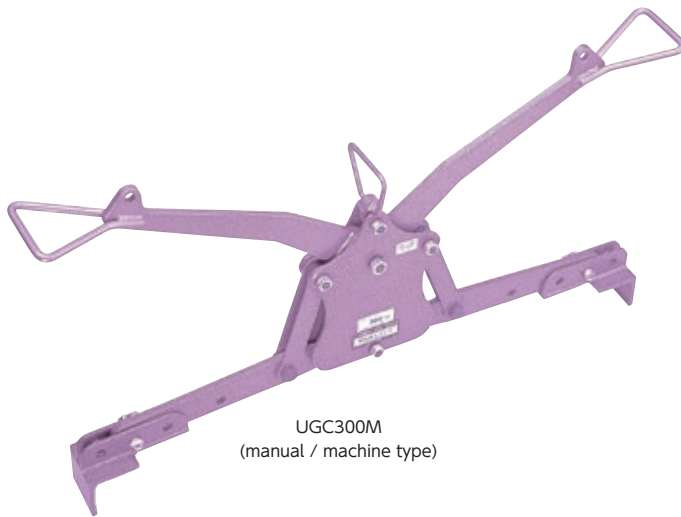
Example of use



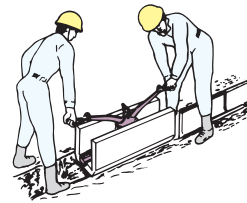
Lifting with a crane (UGC150M)



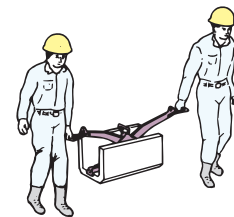
UGC150M (manual / machine type)



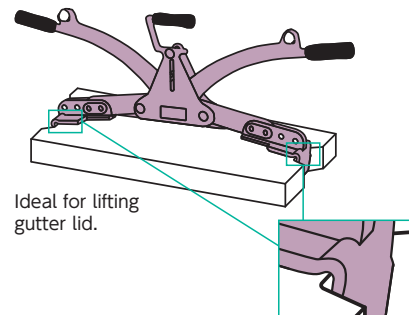
UGC300M (manual / machine type)



As the U shaped gutter is clamped from inside, the clamp doesn't interfere with the alignment levelling strings.

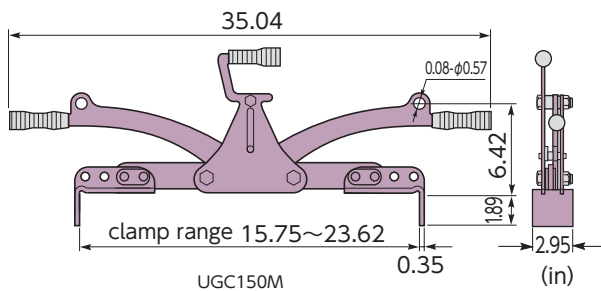


U shaped gutters can be clamped at both ends for easy handling and laying.

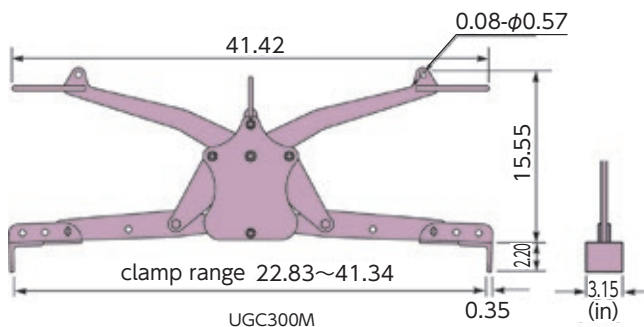


Ideal for lifting gutter lid.

Improve the design of the clamp claws not to crack material corner. (UGC150M)



UGC150M



UGC300M

Features

- Ideal for handling and laying U shaped gutters, lids, edge stones, blocks.
- With clamp claw thickness of 0.35in, the clearance between the materials can be easily set.
- By changing the toggle pins locations, the clamp range can be easily adjusted.
- The clamp claw teeth provide a firm grip that prevents slipping.
- The design of the clamp claws has been improved to prevent material corner from getting nicked during lifting.

Item No.	Rated capacity (lb)	Clamp range (in)	N.W. (lb)
UGC150M	330.69	15.75~23.62	19.84
UGC300M	661.39	22.83~41.34	37.48

Cam types, pad types
Manual, machine types
Adjustable clamp range types, balances
Internal expanding lifting clamps for U shaped gutter
Batch lifting clamps for bank block