

Optimal for 2 x 4 Wood & Housing Panel

PTC200

LIFTING CLAMP FOR 2 X 4 PANEL (Wide Type)

CHECK!



Operation manual & parts drawing

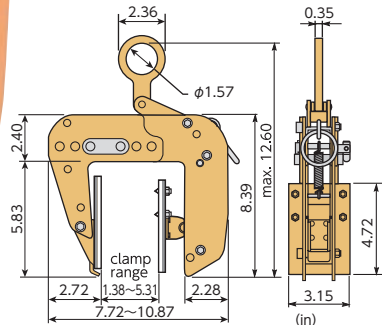
Example of use ⚠ Always use this clamp in pair with a balance.



Remotely controllable opening mechanism included



Also usable for soundproof walls



Features

- Ideal for lifting and installing wooden panels and especially 2 X 4 housing panels.
- The tightening lock can be released remotely, avoiding dangerous operations in high places.

* Do not use for ALC panels, extruded cement panels.

Accessories

- Rope for remote control (59.06in) included

Item No.	Rated capacity (lb)	Clamp range - 5 steps adjustment (in)	N.W. (lb)
PTC200	440.92	1.38~2.17	8.82
		2.17~2.95	
		2.95~3.74	
		3.74~4.53	
		4.53~5.31	

Lifting clamps for formwork / panel

Lifting clamps for panel / beam. lifting clamps dedicated for wooden beam

Balance sets, balances, panel pullers

Lifting clamps for ALC panel, lifting clamps for extruded cement panel

Optimal for 2 x 4 Wood & 2 x 6 Wood

PTC250

LIFTING CLAMP FOR PANEL / BEAM (Super Wide Type)

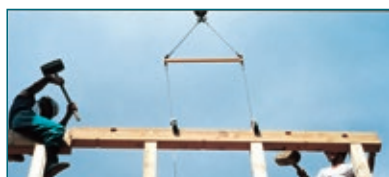
CHECK!



Operation manual & parts drawing

Example of use ⚠ Always use this clamp in pair with a balance.

Wooden Beam lifting



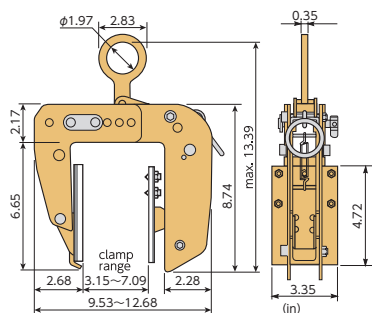
Panel lifting



Remotely controllable opening mechanism included



Also usable for soundproof walls



Features

- Ideal for lifting and installing wooden panels, and especially 2 x 4 and 2 x 6 housing panels, and for lifting and moving wooden beams.
- The tightening lock can be released remotely, avoiding dangerous operations in high places.

* Do not use for ALC panels, extruded cement panels.

Accessories

- Rope for remote control (59.06in) included

Item No.	Rated capacity (lb)	Clamp range - 5 steps adjustment (in)	N.W. (lb)
PTC250	551.16	3.15~3.94	12.79
		3.94~4.72	
		4.72~5.51	
		5.51~6.30	
		6.30~7.09	

* Parts drawings and operation manuals can be downloaded from our website.
 ● For all the appendix, please refer to P.54 ~56