

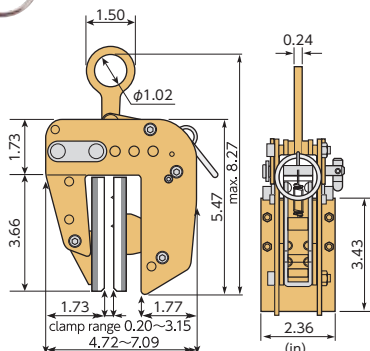
Light Weight & Compact Type

PTC100

LIFTING CLAMP FOR FORMWORK / PANEL
(Ultra-light-weight and Compact Type)



Remotely controllable opening mechanism included



Example of use

Always use this clamp in pair with a balance.



Features

- Ideal for lifting and installing formwork and wooden panels.
- The spring-type tightening lock mechanism assures a positive initial clamp force.
- The tightening lock can be released remotely, avoiding dangerous operations in high places.
- The urethane pad with spikes on one side ensures a firm grip, for even safer operation.
- The two pads come with urethane rubber to prevent scratches on the panel surface.

Applicable loads : Siding boards, decoration panels for outer walls, external heat insulating wall materials, wooden panels, etc.
* Do not use for ALC panels, extruded cement panels.

Accessories

- Rope for remote control (59.06in) included

Item No.	Rated capacity (lb)	Clamp range - 5 steps adjustment (in)	N.W. (lb)
PTC100	220.46	0.20~0.79	3.97
		0.79~1.38	
		1.38~1.97	
		1.97~2.56	
		2.56~3.15	

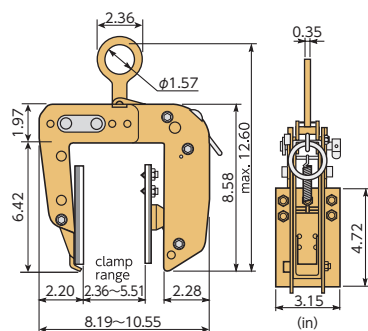
Optimal for 2 x 4 Wood & Housing Panel

PTC150

LIFTING CLAMP FOR PANEL / BEAM (Wide Type)



Remotely controllable opening mechanism included



Example of use

Always use this clamp in pair with a balance.

Panel lifting



Wooden beam lifting



Features

- Ideal for lifting and installing wooden panels, 2 x 4 housing panels and for lifting and moving wooden beams.
- The tightening lock can be released remotely, avoiding dangerous operations in high places.

* Do not use for ALC panels, extruded cement panels.

Accessories

- Rope for remote control (59.06in) included

Item No.	Rated capacity (lb)	Clamp range - 4 steps adjustment (in)	N.W. (lb)
PTC150	330.69	2.36~3.15	7.94
		3.15~3.94	
		3.94~4.72	
		4.72~5.51	