

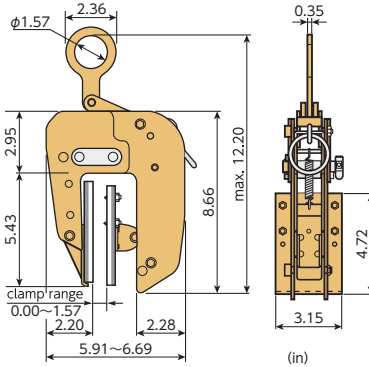
» Anti-scratch Type

PSC100

LIFTING CLAMP FOR PANEL
(Ultra-light-weight and Compact Type)



Remotely controllable opening mechanism included



Example of use

⚠ Always use this clamp in pair with a balance.



Features

- Ideal for lifting and installing wooden panels.
- The tightening lock can be released remotely, avoiding dangerous operations in high places.
- * Do not use for ALC panels, extruded cement panels.

Accessories

- Rope for remote control (59.06in) included

Item No.	Rated capacity (lb)	Clamp range - 2 steps adjustment (in)	N.W. (lb)
PSC100	220.46	0.00~0.79	7.72
		0.79~1.57	

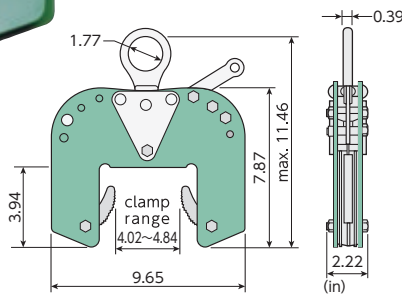
» Lock Lever Type

BLC200

LIFTING CLAMP FOR WOODEN BEAM (Double Cam Type)



Remotely controllable opening mechanism included



Example of use

⚠ Always use this clamp in pair with a balance.



Features

- Ideal for lifting and installing wooden beams.
- The spring-type tightening lock mechanism assures a positive initial clamp force.
- The tightening lock can be released remotely, avoiding dangerous operations in high places.

Accessories

- Rope for remote control (78.74in) included

Item No.	Rated capacity (lb)	Clamp range (in)	N.W. (lb)
BLC200	440.92	4.02~4.84	8.16