

» For ALC Panel

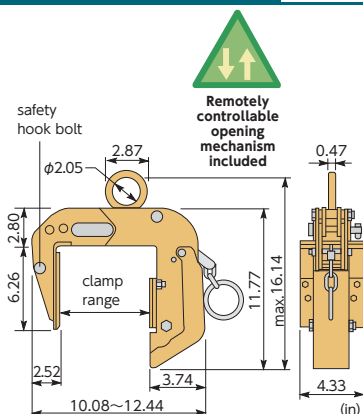
# PAC260

## LIFTING CLAMP FOR ALC PANEL

CHECK!



Operation manual & parts drawing

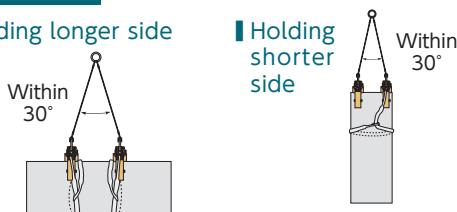


Item No.	Rated capacity (lb)	Clamp range - 3 steps adjustment (in)	N.W. (lb)
PAC260	573.20	3.54~4.13	15.21
		4.53~5.12	
		5.51~6.10	

**Example of use** ⚠ Always use this clamp in pair.

▮ Holding longer side

▮ Holding shorter side



### Feature

- Clamp dedicated for lifting ALC panels.
- ▶ **Common features for PAC260 and PSC260**
- The spring-type tightening lock mechanism assures a positive initial clamp force.
- Including a mechanism making that the clamping force increases in proportion to the load weight.
- The tightening lock can be released remotely, avoiding dangerous operations in high places.
- The urethane pad with spikes on one side ensures a firm grip, for even safer operation.
- The two pads come with urethane rubber to prevent scratches on the panel surface.
- A safety hook bolt for setting a sling belt is included to provide extra safety.

### Accessories

- Rope for remote control (78.74in) included

» For Extruded Cement Panel

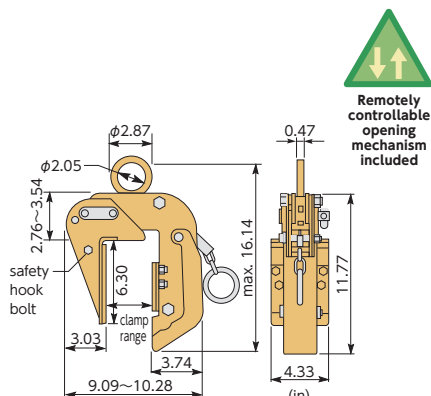
# PSC260

## LIFTING CLAMP FOR EXTRUDED CEMENT PANEL

CHECK!



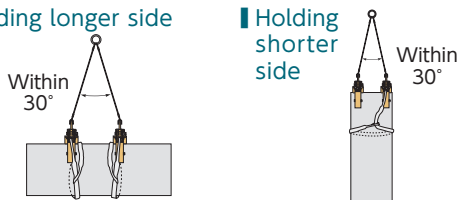
Operation manual & parts drawing



**Example of use** ⚠ Always use this clamp in pair.

▮ Holding longer side

▮ Holding shorter side



### Feature

- Ideal for lifting and installing extruded cement panels.
- ▶ The other features and the examples of use are the same as for PAC260.

Item No.	Rated capacity (lb)	Clamp range - 2 steps adjustment (in)	N.W. (lb)
PSC260	573.20	1.97~2.56	15.21
		2.76~3.35	

### Accessories

- Rope for remote control (78.74in) included

» Easy Operation

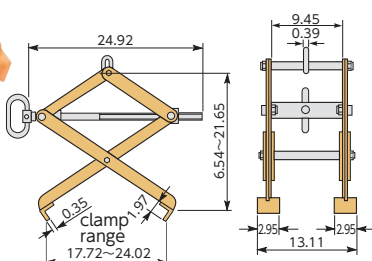
# UGC200W

## HORIZONTAL LIFTING CLAMP FOR ALC PANEL

CHECK!



PDF of Catalogue



**Example of use** ⚠ Lift with one clamp.



### Features

- Ideal for lifting and installing ALC panels.
- Easy to transport and install floor panels and lids for U shaped gutters with one operator.
- Clamping range can be adjusted to the width of the workpiece by turning the handle.
- The firm clamping of the workpiece with a screw tightening lock ensures the operation safety.

Item No.	Rated capacity (lb)	Clamp range (in)	N.W. (lb)
UGC200W	440.92	17.72~24.02	39.68