

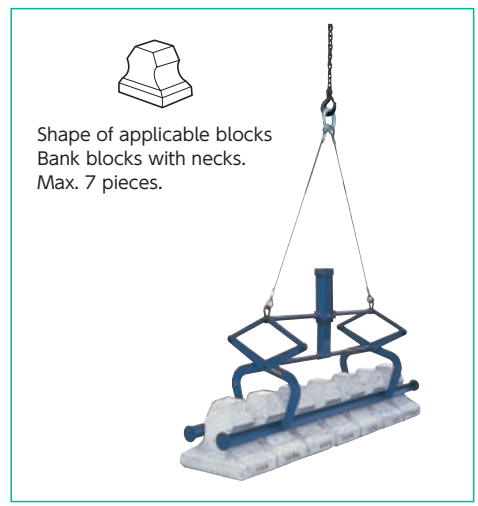
» Automatic Type

KBC500WA

AUTOMATIC BATCH LIFTING CLAMP FOR BANK BLOCK (with Wire Rope and Ring)



Example of use



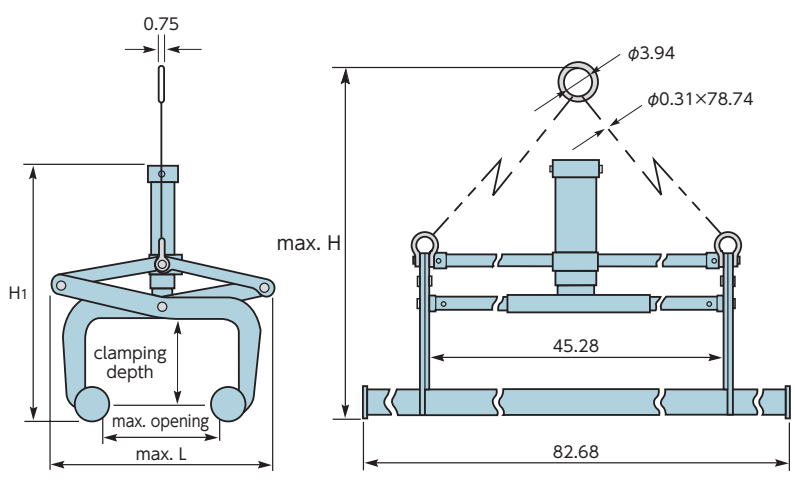
Cam types, pad types

Manual machine types

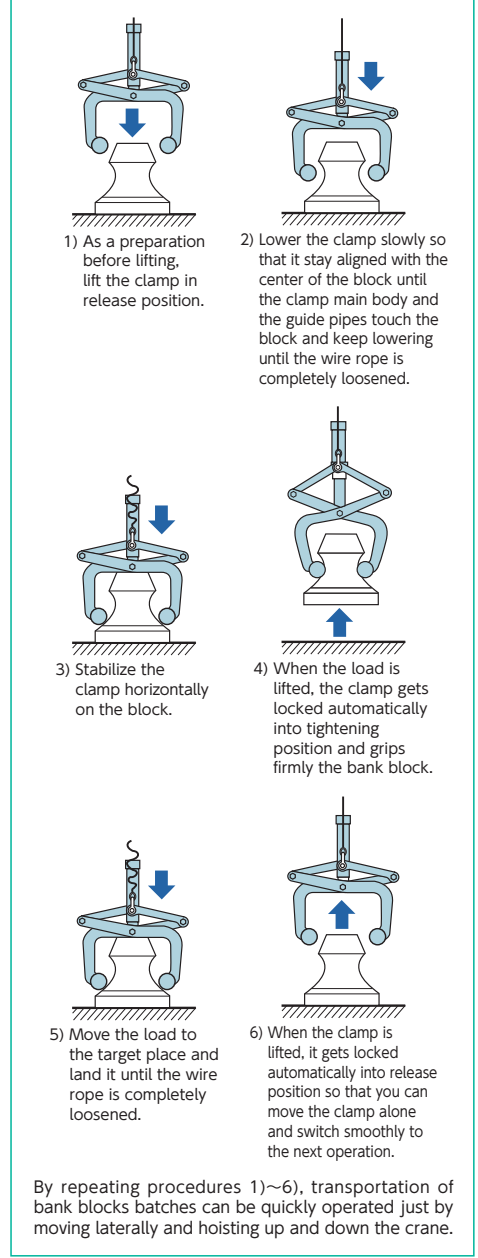
Adjustable clamp range types, balances

Internal expanding lifting clamps for U shaped gutter

Batch lifting clamps for bank block



Automatic setting / removing mechanism



Features

- Dedicated for lifting bank blocks with necks.
- Can lift together in one batch up to 7 bank blocks. Ideal for handling, loading and unloading operations.
- The automatic setting / removing mechanism allows operations with one operator. The workability is greatly improved compared to conventional manual clamp types.

Item No.	Rated capacity (lb)	Clamp range (in)	Size (in)			N.W. (lb)
			(max. opening)	(clamping depth)	H1	
KBC500WA	1102.31	2.36~10.63	11.81	9.06	27.56~39.76	123.46

