

## Adjustable Width for Various Concrete Materials

### AMC-N • AMB-N

UNIVERSAL LIFTING CLAMP FOR CONCRETE MATERIAL  
Adjustable Clamp Range Type (Pad Type)

CHECK!



Operation manual & parts drawing

#### Example of use

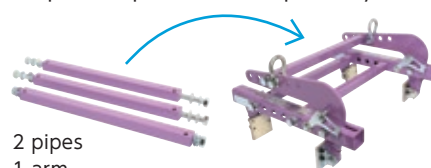


#### Features

- Universal Clamp for lifting all kinds of concrete materials.
- Especially ideal for pedestrian road boundary blocks and small L shaped panels.
- By changing the pad position, you can adjust the clamp range to wide workpiece.
- By adjusting the shackle above the center of gravity of the workpiece, you can keep the balance of the workpiece.
- The spike design of the special rubber pads allows to grip firmly the load (can also be used as non-marring type).
- The open lock can be locked manually for smooth remove of the lifting piece.
- With the optional parts (sold separately), you can connect two clamps.

\* Do not use with drop-lid type U shaped gutters.  
The rated capacity (lb) changes with the shackle position.

#### Optional parts (sold separately)

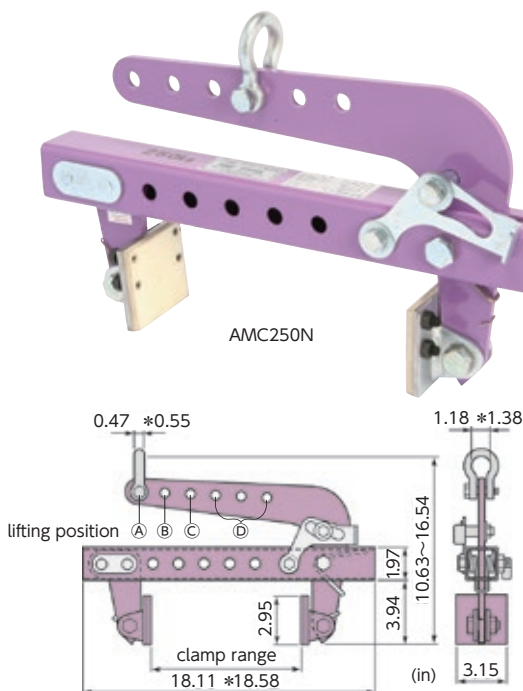


\* The rated capacity of the connected clamps is equal to the sum of each clamp rated capacity.

Optional parts item No.

**AMB250N**

**AMB500N**



Note : \* are dimensions for AMC500N

Item No.	Rated capacity (lb) by lifting position				Clamp range (in)	N.W. (lb)
	A	B	C	D		
<b>AMC250N</b>	308.65	363.76	440.92	551.16	0.39~9.45	12.13
<b>AMC500N</b>	617.29	727.52	881.85	1102.31	0.39~9.45	16.53

Cam types,  
pad types

Manual,  
machine  
types

Adjustable  
clamp  
range types,  
balances

Internal  
expanding  
lifting clamps  
for U shaped  
gutter

Batch lifting  
clamps for  
bank block

## Adjustable Span Type

### LSB2H

BALANCE (With Upper Wire Rope and Ring)

CHECK!



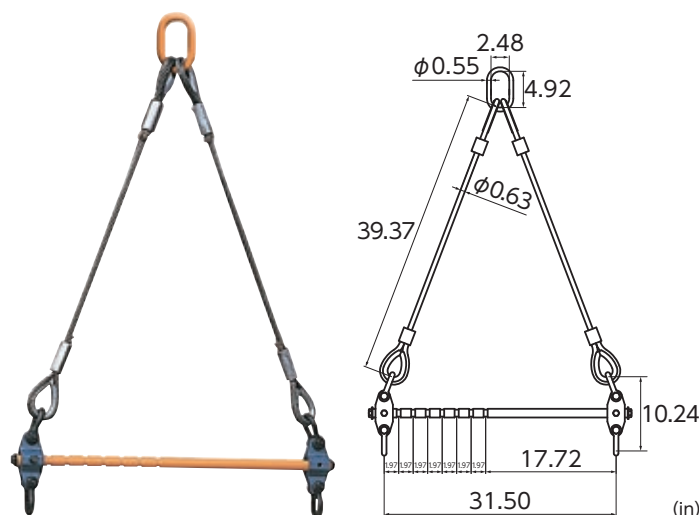
PDF of Catalogue

#### Example of use



#### Features

- Ideal for safe, well balanced lifting operations.
- When lifting or holding balance of a long workpiece, this balance can be used safely with lifting clamps.
- Adjustable span type with 8 steps from 17.72 to 31.50in, adapted to long or large workpieces.



Item No.	Rated capacity (lb)	Adjustable span steps (in)	N.W. (lb)
<b>LSB2H</b>	4409.24	17.72·19.69·21.65·23.62· 25.59·27.56·29.53·31.50	44.09

★ Parts drawings and operation manuals can be downloaded from our website.  
● For all the appendix, please refer to P.54 ~56