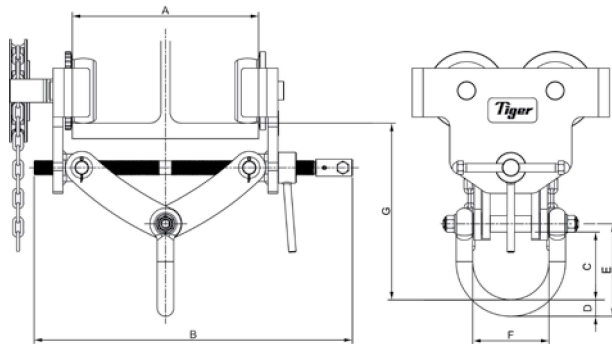
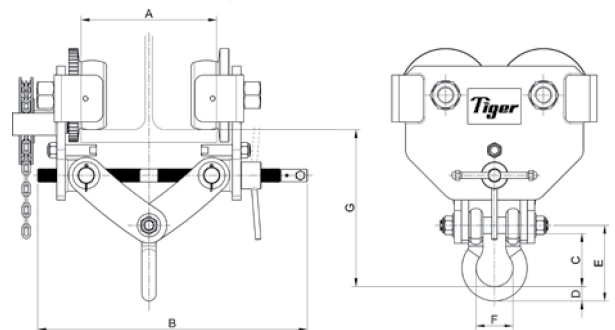


# Adjustable Trolley

## Geared AGT



6t



10t

## Geared Adjustable Trolley

Product Code	Type	Capacity (tons, T)	Track width range (mm, in)	Dimensions (mm, in)						Min. curve ratio (m, ft)	Net Weight (lb)
				A	B	C	D	E	F		
AGT-0100	Geared	1.0, 1.1	75-210, 2.95-8.27	391, 15.39	83, 3.27	16, .63	110, 4.33	81, 3.19	255-208, 10.03-8.19	1.0, 3.3	28.7
AGT-0200	Geared	2.0, 2.2	75-210, 2.95-8.27	391, 15.39	94, 3.70	18, .71	123, 4.84	89, 3.50	276-227, 10.87-8.94	1.3, 4.3	37.5
AGT-0300	Geared	3.0, 3.3	75-210, 2.95-8.27	403, 15.87	105, 4.13	22, .87	141, 5.55	112, 4.41	288-241, 11.34-9.49	1.5, 4.9	62.8
AGT-0600	Geared	6.0, 6.6	105-305, 4.13-12.01	521, 20.51	111, 4.37	27, 1.06	151, 5.94	125, 4.92	358-290, 14.09-11.42	1.5, 4.9	88.2
AGT-1000	Geared	10.0, 11.0	160-305, 6.30-12.01	606, 23.86	119, 4.69	32, 1.26	170, 6.69	83, 3.27	400-340, 15.75-13.39	2.7, 8.9	298.7

Standard geared trolley hand chain length - 2.5m (8.2 ft). We can change the length to suit your requirements.