

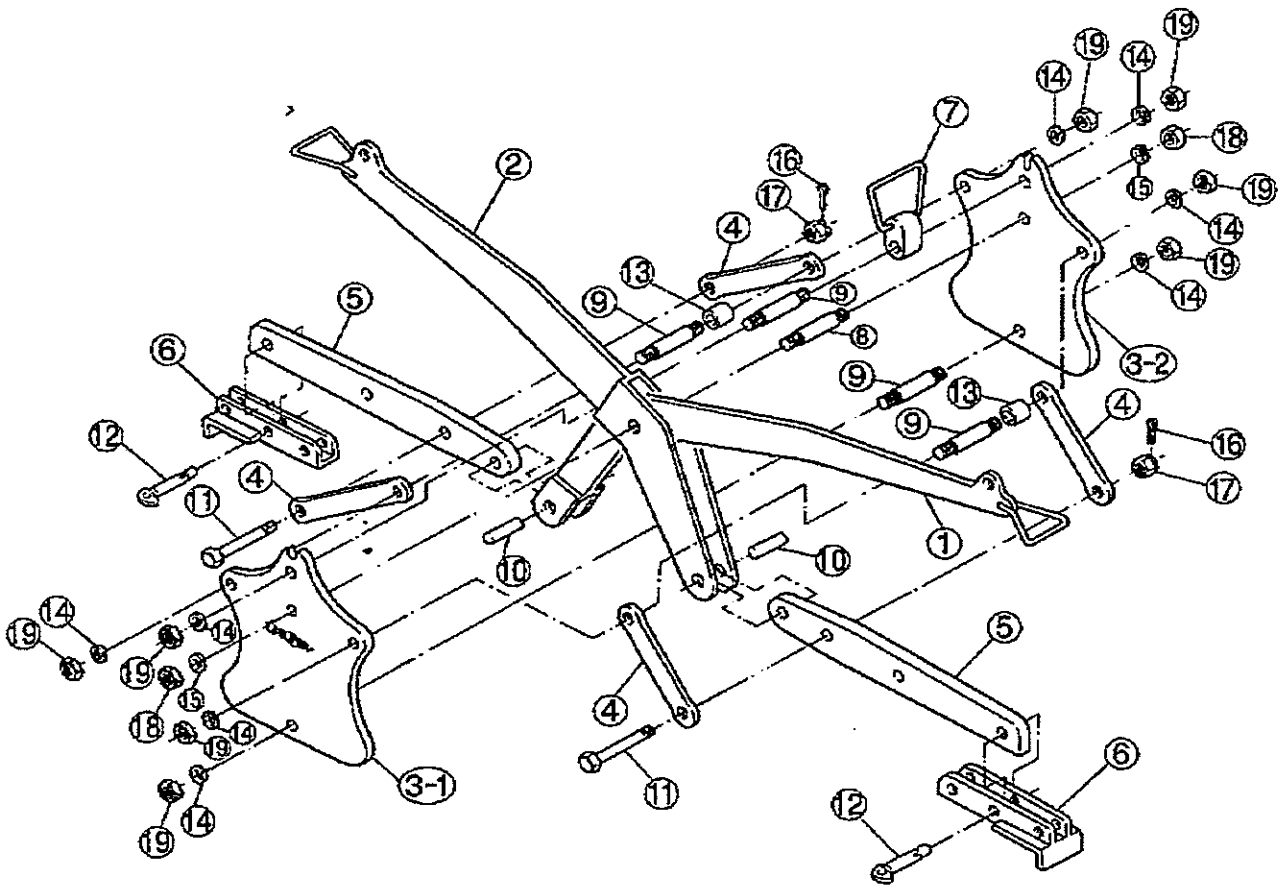
Parts No.	Parts Name	Item No.	Q'ty
*1-1	Body A (engraved)	-	-
1-2	Grip for Body A	UGCR150M	1
1-3	Body B	UGCB150M	1
Arm		UGA150M	
2-1	Arm	UGCA150M	2
2-2	Link		2
2-3	Swage pin		2
2-4	Grip of Arm		UGCG150M

Parts No.	Parts Name	Item No.	Q'ty
3	Claw	UGCK150M	2
4	Adjustment pin	UGCP150M	2
5	Correction pin	UGCZ150M	1
6-1	Hex bolt	UGCH150M	3
6-2	U nut		3
6-3	Collar A for Arm	UGCD150M	2
6-4	Collar B for Arm		2
7	Collar C for Body	UGCE150M	1

\*1-1 Unable to supply as a spare part.

Parts Name

UGC300M



Parts No.	Parts Name	Item No.	Q'ty
Handle		UGH300M	
1	Handle A	UGCH300M	1
2	Handle B	UGCI300M	1
8	Support pin A	UGCN300M	1
15	Spring washer A		2
18	Hex nut A		2
10	Support pin C	UGCM300M	2
Arm		UGA300M	
5	Arm	UGCA300M	2
6	Claw	UGCK300M	2
12	Adjust pin	UGCP300M	2
*3-1	Body A (engraved)	-	-
3-2	Body B	UGCB300M	1
7	Grip for body	UGCT300M	1

Parts No.	Parts Name	Item No.	Q'ty
Link		UGR300M	
4	Link	UGCR300M	4
9	Support Pin B	UGCD300M	4
14	Spring washer B		8
19	Hex nut B		8
13	Collar	UGCC300M	2
11	Hex bolt	UGCL300M	2
16	Split pin		2
17	Grooved nut		2
*3-1	Unable to supply as a spare part.		