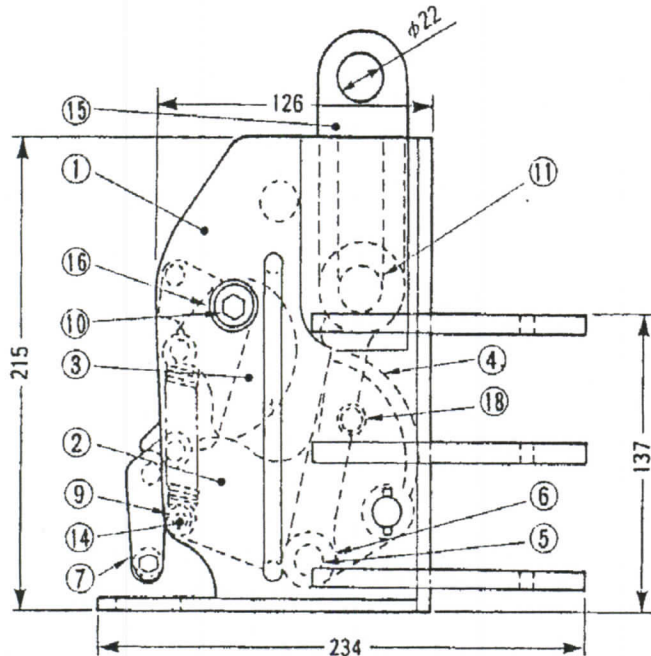


Specification & Measurement

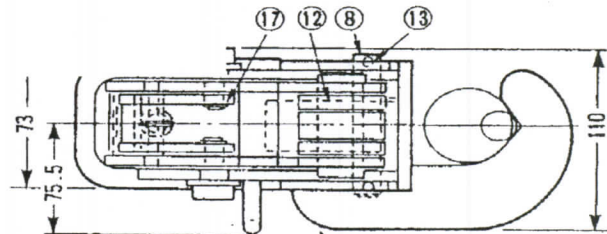
1. Specification

Product No.	Rated Capacity (kg)	Applicable Diameters (mm)	N/Weight (kg)
TVC1	1000	Φ16 to 41	6.0



2. Name of parts

No.	Name of parts	Qty
1	Main Body	1
2	Link	1
3	Lock	1
4	Cam	1
5	Link Pin	1
6	Color	2
7	Remote-Control Lever	1
8	Cam Supporting Pin	1
9	Spring	1
10	Lock Supporting Bolt	2
11	Hook Pin	1
12	Color	2
13	Spring Pin	2
14	Spring Pin	1
15	Lifting Plate	1
16	Spring Washer	2
17	Stopper Ring	2
18	Swaging Pin	1



◆ Usage

Optimal for assembling, pressure welding and extracting of reinforcing steel rods.

◆ Features

1. This clamp is for the safe vertical and handling of pre-assembled reinforcing steel rods, irregular shaped steel bars and round bars.
 2. When the clamp is high out of reach, the centre lever type open lock can be operated with the remote control rope to lock the clamp into the open position.
 3. The special alloy steel cam is high-frequency quenched for maximum strength and durability.
 4. For smooth and easy remote control operation, the components projecting from the sides of the body have been kept as small as possible.
- When clamped onto a reinforced steel rod, the curved holding plates and the cam will generate a positive clamping force to securely hold the work piece.

◆ Operation

1. Attach the shackle to the lifting plate and connect a wire rope, sling chain etc., to it.
2. Insert a steel from out side.
3. Lifting up the lever of remote control, the cam lock the steel rod.
4. The clamp is easily detached from the work piece by pulling the remote control rope to lock the clamp into open position.

◆ Cautions in Handling

1. Do not use to pull out from stacked steel rods.
2. Do not apply the clamp beyond the rated capacity or applicable diameter.
3. Please do not remodel this unit originally by a weld or others.
4. Check the each part of lifting clamp before using whether move normally or not.
5. Do not hit steel rod and clamp to others when lifting.
6. When crane hook lowering, be careful not to upthrust steel rod.
7. Check the clamping steel rod surely when lifting the steel rod.