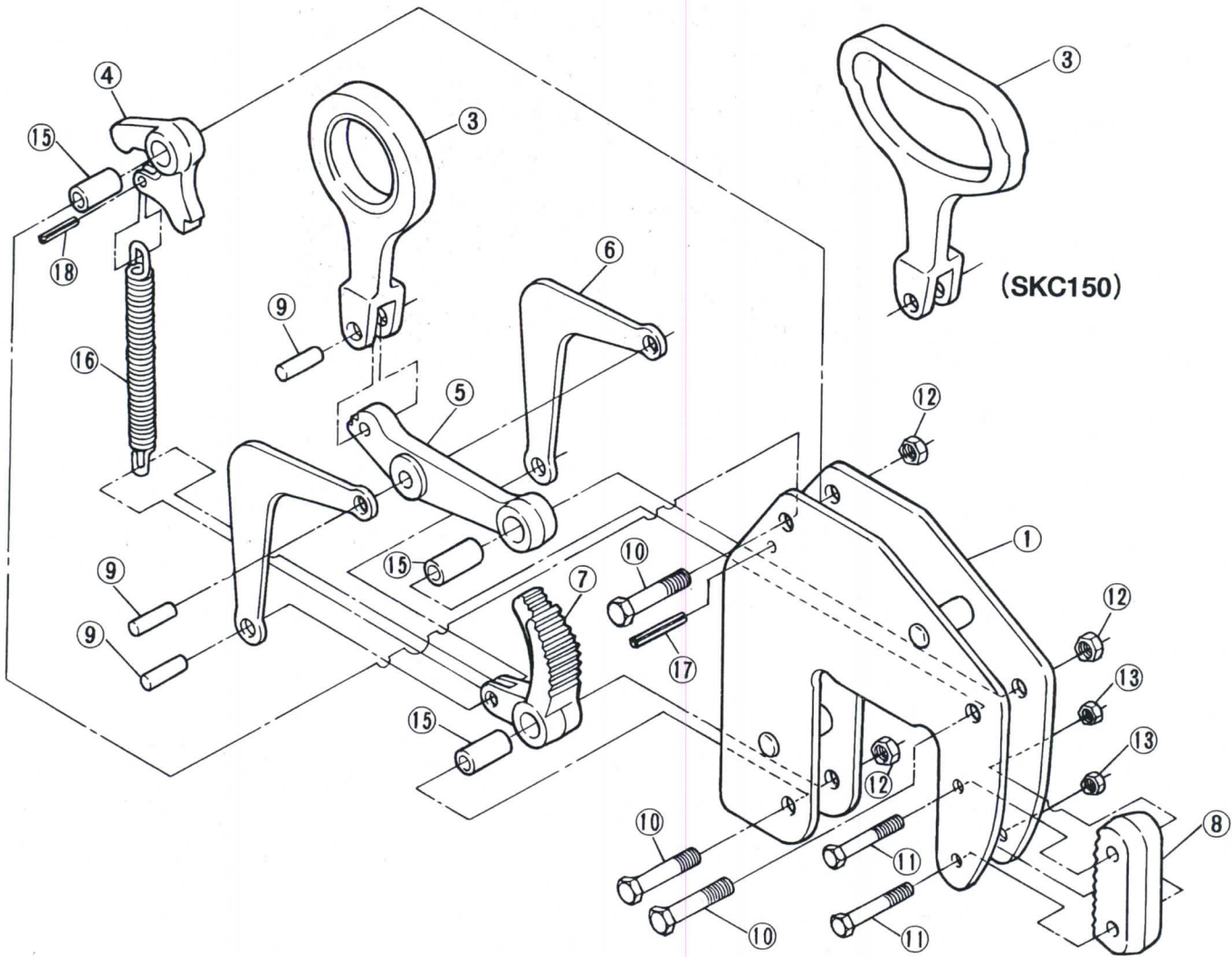


# Part names (SKC150; SKC150M; SKC250; SKC250W)



Part No.	Part name	Part ref. code	Quantity	Part No.	Part name	Part ref. code	Quantity
<b>Shackle</b>				<b>Link</b>			
3	Shackle	SKCH	1	6	Link	SKCL	2
9	Connecting pin	SKCX	1	9	Connecting pin	SKCX	1
<b>Lever</b>				<b>Cam</b>			
4	Lever	SKCF	1	7	Cam	SKCT	1
10	Hexagon bolt (large)	SKCN	1	10	Hexagon bolt (large)	SKCN	1
12	Hexagon nut (large)		1	12	Hexagon nut (large)		1
15	Collar	SKCY	1	15	Collar	SKCY	1
17	Spring pin (large)	SKCQ	1	<b>Pad</b>			
<b>Arm</b>				8	Pad	SKCP	1
5	Arm	SKCI	1	11	Hexagon bolt (small)	SKCV	2
9	Connecting pin	SKCX	1	13	Connecting pin		2
10	Hexagon bolt (large)	SKCN	1	<b>Spring</b>			
12	Hexagon nut (large)	SKCY	1	16	Spring	SKCS	1
15	Collar		1	18	Spring pin (small)	SKCR	1

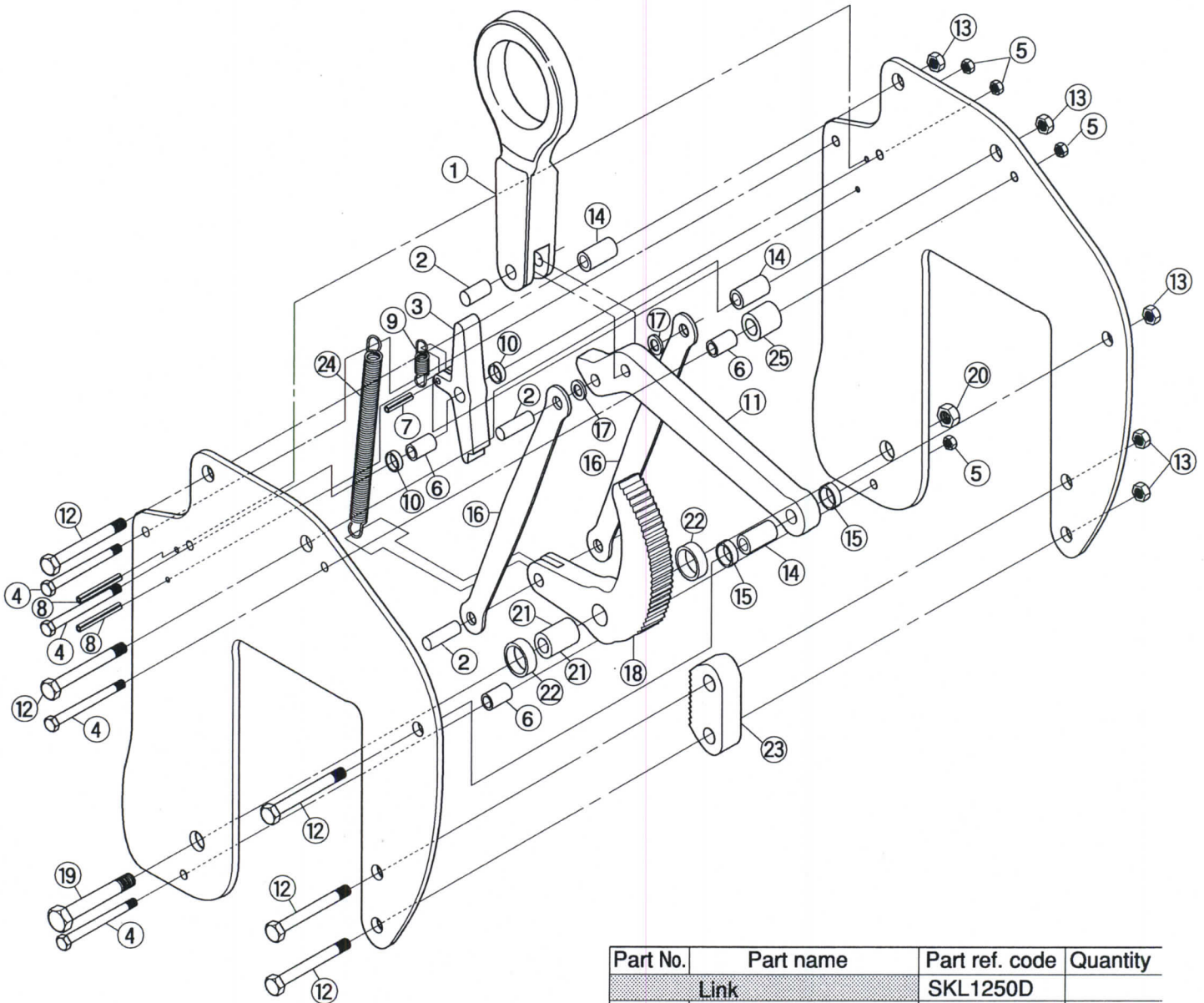
Note 1) When you place an order for parts, attach nominal capacity value or nominal capacity plus "M" / "W" just after Part ref. code.

(Ex. Cam for SKC150 is to be SKCT150.)

(Ex. Pad set for SKC250W is to be SKP250W.)

2) Periodically apply lubricating oil to the rotation parts of each component.

# Part names (SKC1250D)



Part No.	Part name	Part ref. code	Quantity
<b>Shackle</b>			
1	Shackle	SKH1250D	1
2	Connecting pin	SKCX1250D	1
<b>Lever</b>			
3	Lever	SKCF1250D	1
4	Hexagon bolt (small)	SKCN1250D	1
5	Hexagon nut (small)		1
6	Collar (small)	SKCY1250D	1
7	Spring pin (short)	SKCQ1250D	1
8	Spring pin (long)		2
9	Spring for lever	SKCB1250D	1
10	Spacer (small)	SKCA1250D	2
<b>Arm</b>			
11	Arm	SKCI1250D	1
2	Connecting pin	SKCX1250D	1
12	Hexagon bolt (middle)	SKCV1250D	1
13	Hexagon nut (middle)		1
14	Collar (middle)	SKCW1250D	1
15	Spacer (middle)	SKCC1250D	2

Part No.	Part name	Part ref. code	Quantity
<b>Link</b>			
16	Link	SKL1250D	2
2	Connecting pin	SKCX1250D	1
17	Flat washer	SKCZ1250D	2
<b>Cam</b>			
18	Cam	SKT1250D	1
19	Hexagon bolt (large)	SKCK1250D	1
20	Hexagon nut (large)		1
21	Collar (large)	SKCM1250D	1
22	Spacer (large)	SKCD1250D	2
<b>Pad</b>			
23	Pad	SKCP1250D	1
12	Hexagon bolt (middle)	SKCG1250D	2
13	Hexagon nut (middle)		2
<b>Spring for Cam</b>			
24	Spring for Cam	SKS1250D	1
4	Hexagon bolt (small)	SKCN1250D	1
5	Hexagon nut (small)		1
<b>Stopper</b>			
25	Stopper	SKE1250D	1
4	Hexagon bolt (small)	SKCN1250D	1
5	Hexagon nut (small)		1
6	Collar (small)	SKCY1250D	1

Note) Periodically apply lubricating oil to the rotation parts of each component.