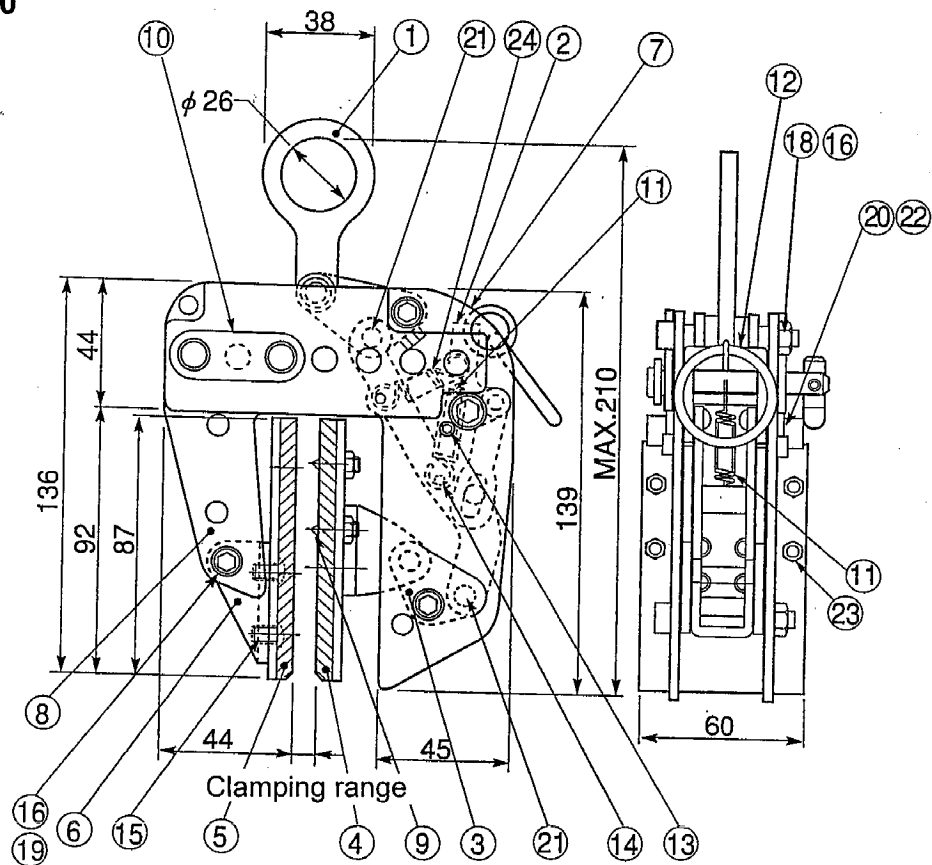


## ■ Component names and general dimensional drawing

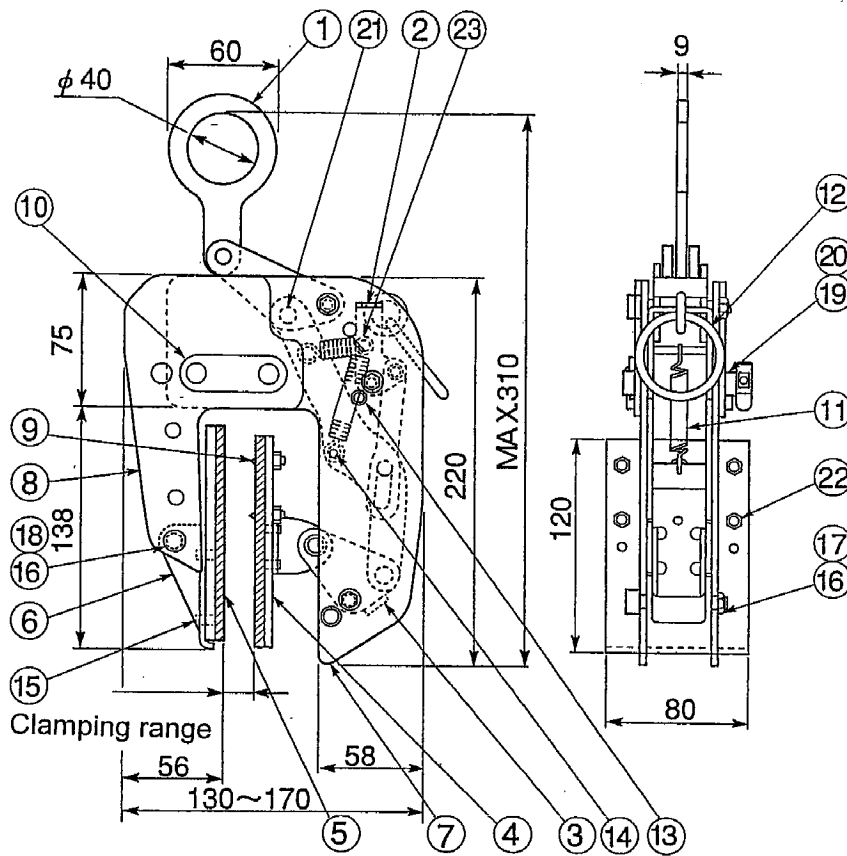
● PTC 100



(Dimensional unit: mm)

No.	Names of parts	Quantity	No.	Names of parts	Quantity
1	Shackle	1	13	Bolt with hexagon socket	2
2	Lock lever link	1	14	Spring pin	3
3	Cam	1	15	Small round-headed screw	8
4	Movable pad	1	16	U-shaped nut	3
5	Fixed pad	1	18	Bolt with hexagon socket	2
6	Fixed-pad mounting bracket	2	19	Bolt with hexagon socket	1
7	Main unit	1	20	Bolt with hexagon socket	2
8	Arm	1	21	Pin	2
9	Spike	5	22	Spring washer	2
10	Adjustment plate pin	1	23	Hexagon nut	5
11	Spring (large)	1	24	Spring (small)	1
12	Handgrip link	1			

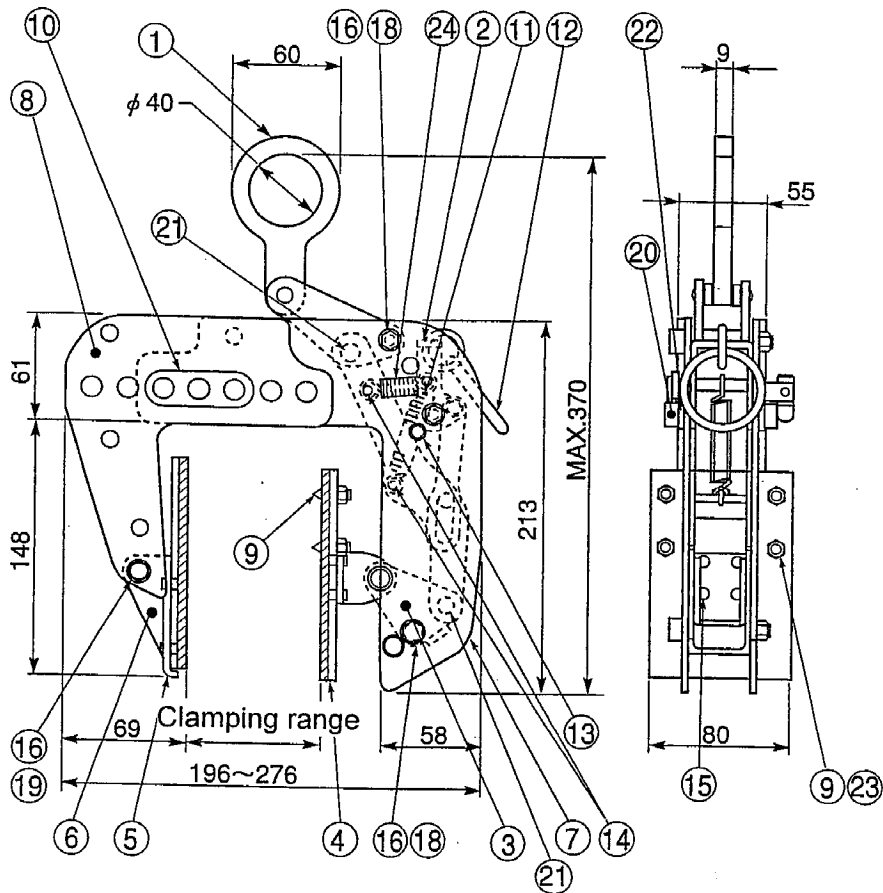
● PSC 100



(Dimensional unit: mm)

No.	Names of parts	Quantity	No.	Names of parts	Quantity
1	Shackle	1	13	Bolt with hexagon socket	2
2	Lock lever link	1	14	Spring pin	3
3	Cam	1	15	Small round-headed screw	8
4	Movable pad	1	16	U-shaped nut	3
5	Fixed pad	1	17	Bolt with hexagon socket	2
6	Fixed-pad mounting bracket	1	18	Bolt with hexagon socket	1
7	Main unit	1	19	Bolt with hexagon socket	2
8	Arm	1	20	Spring washer	2
9	Spike	5	21	Pin	2
10	Adjustment plate pin	1	22	Hexagon nut	5
11	Spring (large)	1	23	Spring (small)	1
12	Handgrip link	1			

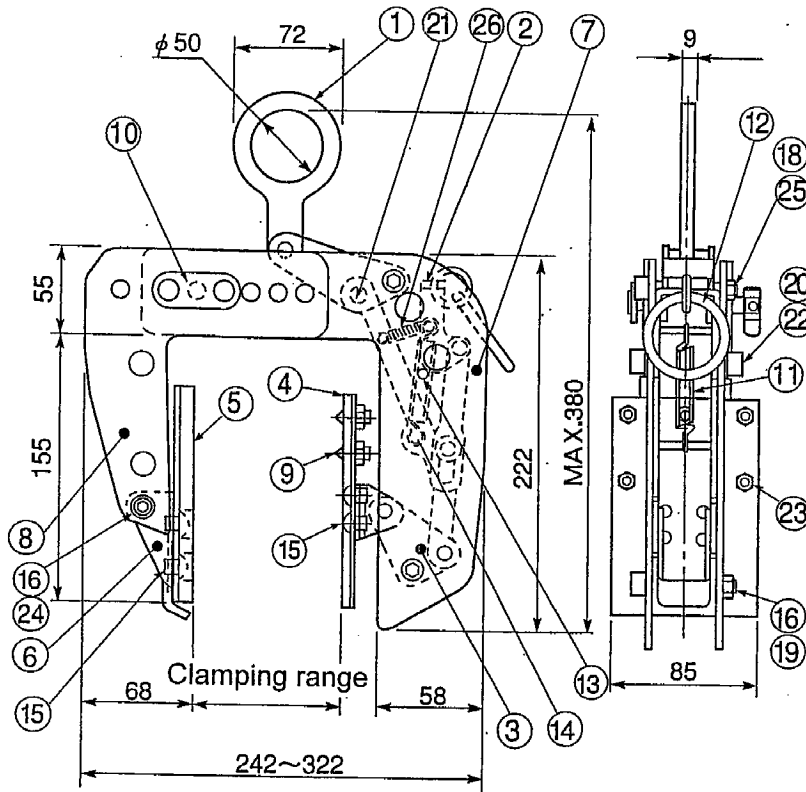
●PTC 200



(Dimensional unit: mm)

No.	Names of parts	Quantity	No.	Names of parts	Quantity
1	Shackle	1	13	Bolt with hexagon socket	2
2	Lock lever link	1	14	Spring pin	3
3	Cam	1	15	Small round-headed screw	8
4	Movable pad	1	16	U-shaped nut	3
5	Fixed pad	1	18	Bolt with hexagon socket	2
6	Fixed pad mounting bracket	1	19	Bolt with hexagon socket	1
7	Main unit	1	20	Bolt with hexagon socket	2
8	Arm	1	21	Pin	2
9	Spike	5	22	Spring washer	2
10	Adjustment plate pin	1	23	Hexagon nut	5
11	Spring (large)	1	24	Spring (small)	1
12	Handgrip link	1			

●PTC 250



(Dimensional unit: mm)

No.	Names of parts	Quantity	No.	Names of parts	Quantity
1	Shackle	1	14	Spring pin	3
2	Lock lever link	1	15	Small round-headed screw	8
3	Cam	1	16	U-shaped nut (small)	2
4	Movable pad	1	18	Bolt with hexagon socket	1
5	Fixed pad	1	19	Bolt with hexagon socket	1
6	Fixed-pad mounting bracket	1	20	Bolt with hexagon socket	2
7	Main unit	1	21	Pin	2
8	Arm	1	22	Spring washer	2
9	Spike	5	23	Hexagon nut	5
10	Adjustment plate pin	1	24	Bolt with hexagon socket	1
11	Spring (large)	1	25	U-shaped nut (large)	1
12	Handgrip link	1	26	Spring (small)	1
13	Bolt with hexagon socket	2			