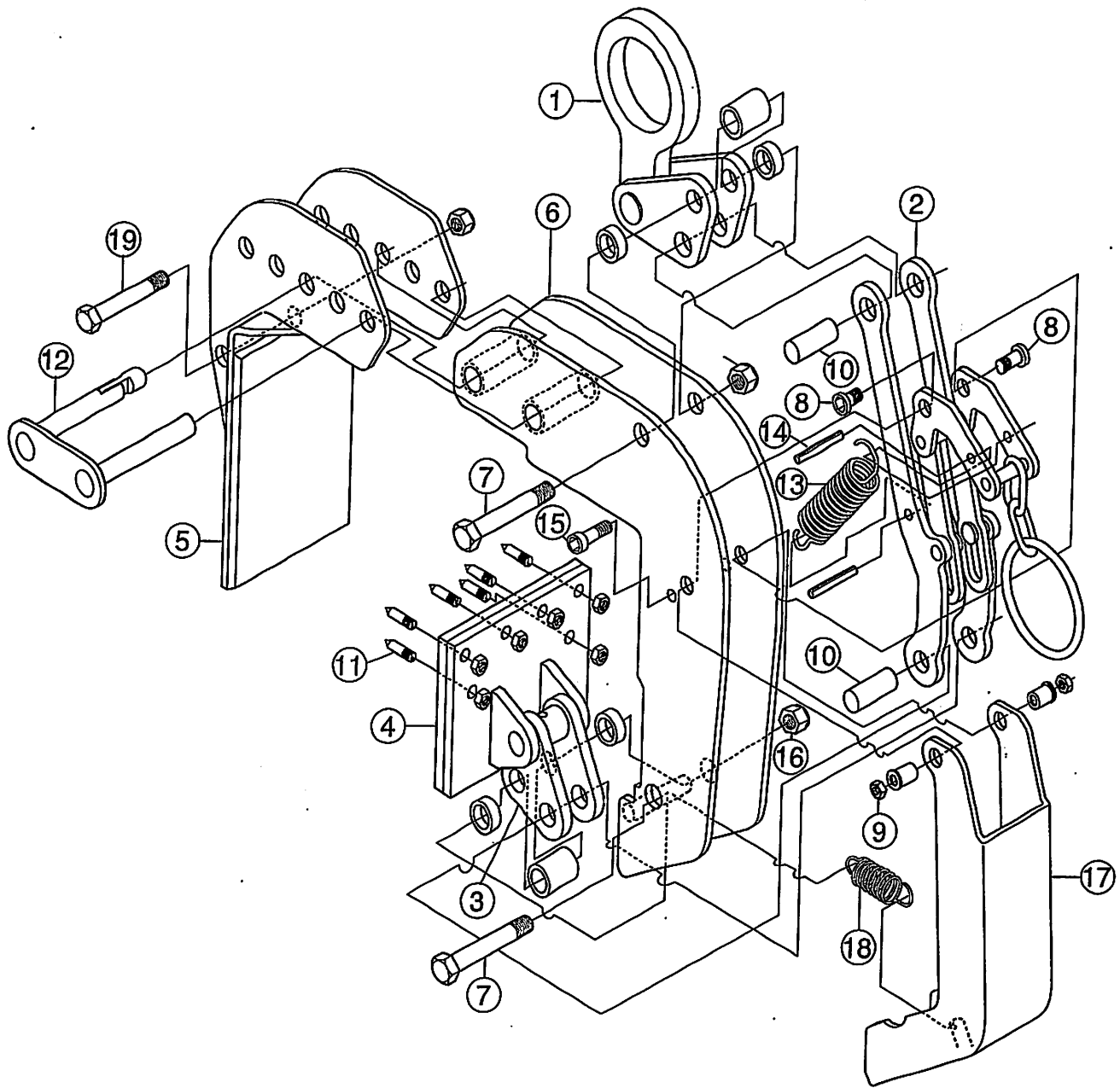


# PAC260 Parts Name

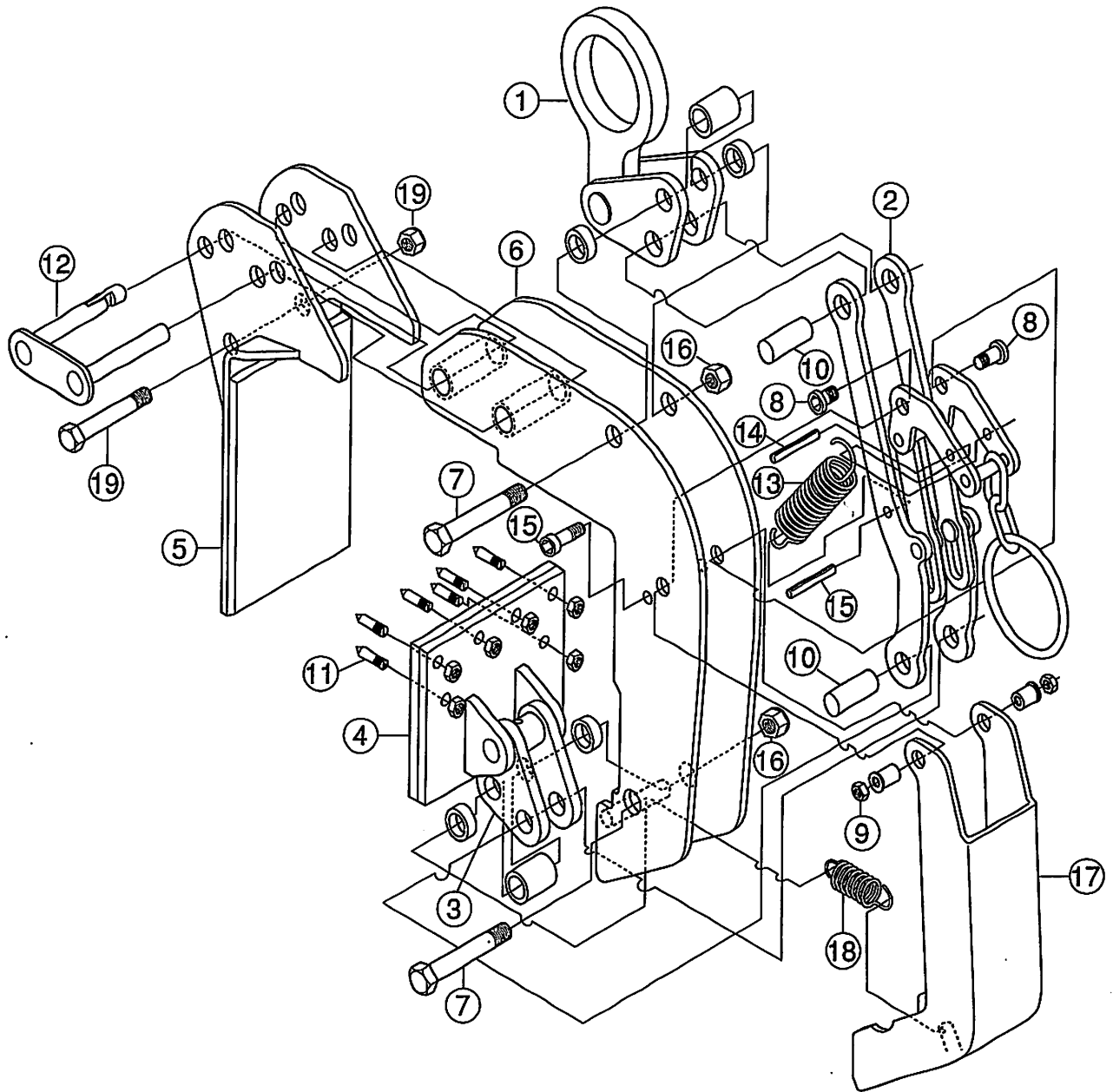


Parts No.	Parts Name	Item No.	Set Number
<b>SHACKLE</b>			
1	Shackle	PAH	1
7	Bolt with short and long collars	PACH	1
16	U-shaped nut	PACN	1
<b>LOCK LEVER LINK</b>			
2	Lock Lever Link	PAF	1
8	Hex. hole head disc bolt with collar washer	PACF	2
9	U-shaped nut	PACD	2
10	Pin	PACP	1
13	Spring for lock	PACS	1
14	Spring Pin	PACA	1
15	Hex. hole head bolt	PACB	2
<b>MOVABLE PAD</b>			
3	Cam link with pin collar	PAE	2
7	Bolt with short and long collars	PACT	1
16	U-shaped nut	PACN	1
10	Pin	PACP	1
4	Movable pad	PACE	1
11	Spike	PACG	6

Parts No.	Parts Name	Item No.	Set Number
<b>FIXED PAD FOR PAC260</b>			
5	Fixed Pad	PAR	1
19	Safety hook bolt/nut	PACR	1
12	Adjustment plate pin	PACV	1
<b>COVER</b>			
17	Cover	PAJ	1
18	Spring for cover	PACL	1
<b>ROPE(common)</b>		PACU260	1

\*No.6 is a main body, which is not for sale.

# PSC260 Parts Name



Parts No.	Parts Name	Item No.	Set Number
<b>SHACKLE</b>		<b>PAH</b>	
1	Shackle	PACH	1
7	Bolt with short and long collars	PACN	1
16	U-shaped nut		1
<b>LOCK LEVER LINK</b>		<b>PAF</b>	
2	Lock Lever Link	PACF	1
8	Hex. hole head disc bolt with collar washer	PACD	2
9	U-shaped nut		2
10	Pin	PACP	1
13	Spring for lock	PACS	1
14	Spring Pin	PACA	1
15	Hex. hole head bolt	PACB	2
<b>MOVABLE PAD</b>		<b>PAE</b>	
3	Cam link with pin collar	PACT	2
7	Bolt with short and long collars	PACN	1
16	U-shaped nut		1
10	Pin	PACP	1
4	Movable pad	PACE	1
11	Spike	PACG	6

Parts No.	Parts Name	Item No.	Set Number
<b>FIXED PAD FOR PSC260</b>		<b>PSR</b>	
5	Fixed Pad	PSCR	1
19	Safety hook bolt/nut	PSCV	1
12	Adjustment plate pin	PACK	1
<b>COVER</b>		<b>PAJ</b>	
17	Cover	PACJ	1
18	Spring for cover	PACL	1
<b>ROPE(common)</b>		<b>PACU260</b>	<b>1</b>

\*No.6 is a main body, which is not for sale.