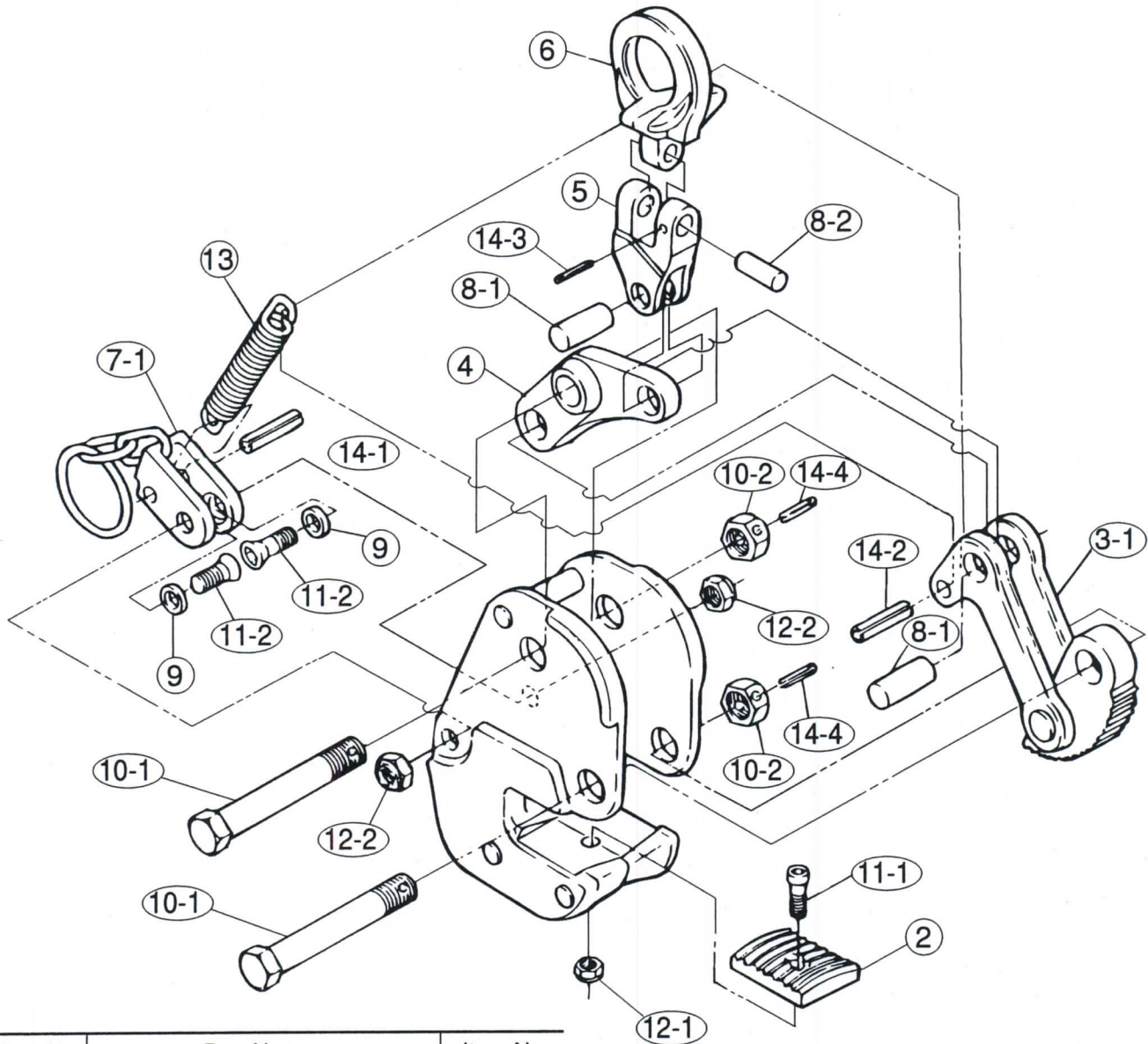


Replacement Parts and fittings



Part No.	Part Name	Item No.
HANDLE ASSEMBLY		GVG
7-1	"U" shaped handle	GVCG
9	Collar	GVCZ
11-2	Hex.socket flant head bolt	GVCF
12-2	U nut	
14-1	Spring pin	GVCQ
"L" SHAPED LINK		GVM
4	Link	GVCM
8-1	Connecting pin (Long)	GVCY
CAM SURPORT BOLT ASSEMBLY		GVK
10-1	Cam support bolt	GVCK
10-2	Cam support nut	
14-4	Spring pin	GVCO
13	Spring	GVCS

Part No.	Part Name	Item No.
SHACKLE ASSEMBLY		GVH
5	Connector	GVCL
6	Shackle	GVCH
8-2	Connecting pin(Short)	GVCX
14-3	Spring pin	GVCR
CAM ASSEMBLY		GVT
3-1	Cam(with Link)	GVCT
14-2	Spring pin	GVCU
PAD ASSEMBLY		GVP
2	Pad	GVCP
11-1	Hex.socket head cap screw	GVCV
12-1	Nylon nut	