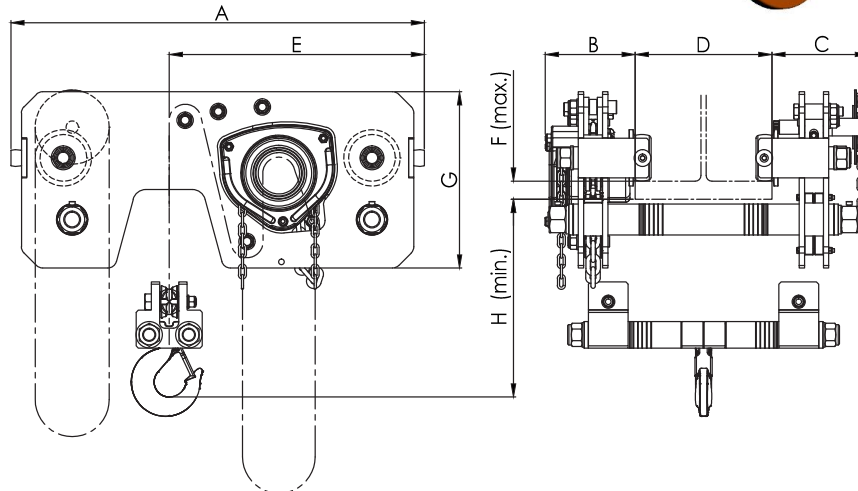
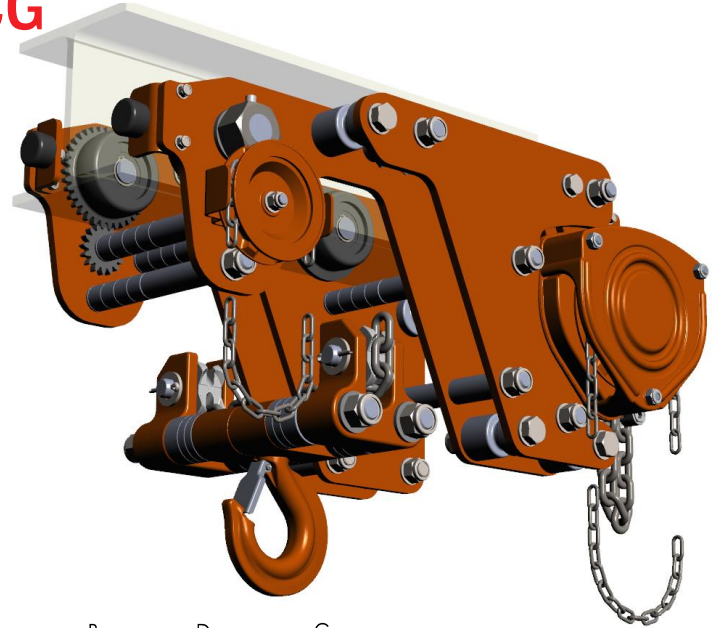


Ultra Low Headroom Combination Chain Block & Trolley ULCG

- (UL) Ultra-low headroom design
- Range from 1.0t to 12t
- Ideal for locations where headroom is limited
- Operating temperature of -30°C to +50°C (temperature range of -50°C to +50°C available as an option)
- Can be chained to any height of lift to meet your exact requirements
- Available with a chain container
- Spark Resistant version available



Above drawing is reference only

Product Code	Capacity (tons, T)	Dimensions (mm, in)							
		A	B	C	D	E	F (max.)	G	H (min.)
ULCG0100-310	1.0, 1.1	585, 23	166, 7	176, 7	160-310, 6-12	365, 14	26, 1	240, 9	115, 5
ULCG0200-204	2.0, 2.2	680, 27	169, 7	177, 7	80-204, 3-8	420, 17	31, 1	270, 11	136, 5
ULCG0200-310	2.0, 2.2				206-310, 8-12				
ULCG0300-204	3.0, 3.3	798, 31	183, 7	201, 8	80-204, 3-8	484, 19	36, 1	300, 12	155, 6
ULCG0300-310	3.0, 3.3				206-310, 8-12				
ULCG0600-204	6.0, 6.6	938, 37	204, 8	219, 9	120-204, 5-8	579, 23	41, 2	400, 16	199, 8
ULCG0600-310	6.0, 6.6				206-310, 8-12				
ULCG1200-220	12.0, 13.2	1128, 44	227, 9	278, 11	150-220, 6-9	727, 29	45, 2	420, 17	250, 10
ULCG1200-310	12.0, 13.2				220-310, 9-12				

Standard lift is 3m (10') and Standard geared trolley hand chain length is 2.4m (8').
 Dimension D is the standard track width range. Please contact us for track widths outside of this range.
 Dimension F is the maximum beam flange thickness.