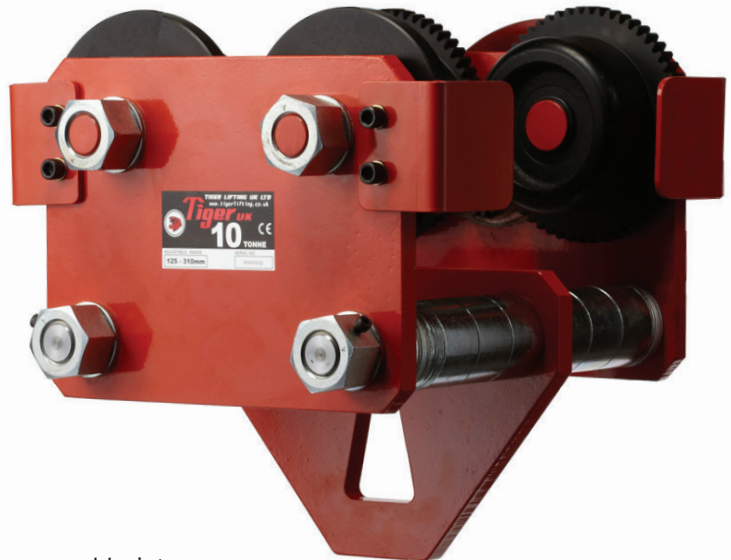


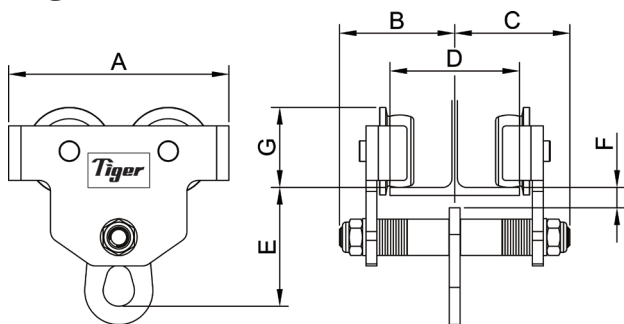
# Trolley TP/TG

- Plain trolleys range from 0.5t to 15t Gearing trolley range from 0.5t to 35t
- The anti-drop plates design ensures extra safety, and also prevents damage to the wheels when contacting end rail stoppers
- Extended beam width available
- Corrosion or spark resistant versions available
- Tiger trolley wheels are specially designed with a convex profile eliminating potential point loading
- The wheels run on sealed ball bearings for smoother rolling with less effort and maintenance
- Operating temperature of -30°C to +50°C (-22°F to +122°F) (temperature range of -58°F to +122°F available as an option)
- Optional beam locking device
- The 5:1 factor of safety allows for use with manual or powered hoists.

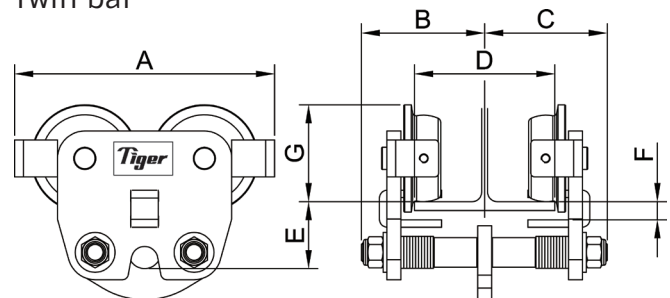


## Plain trolley

### Single bar



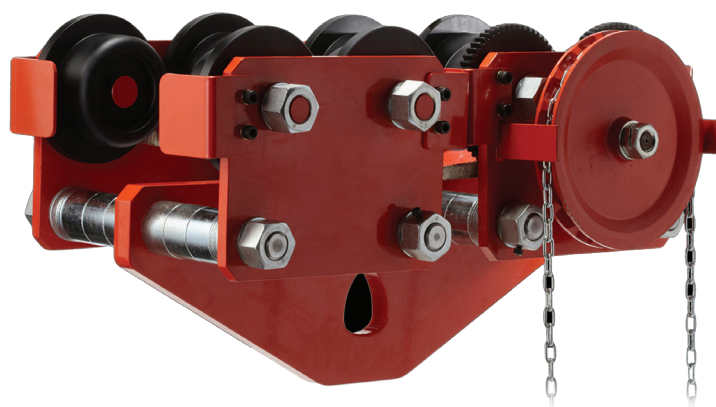
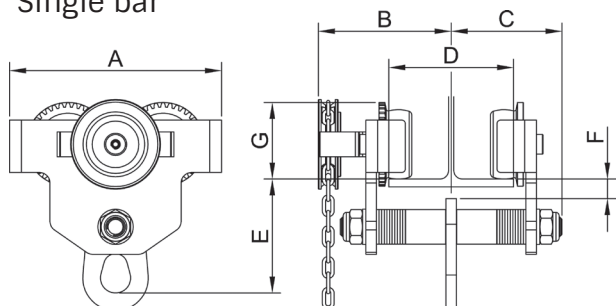
### Twin bar



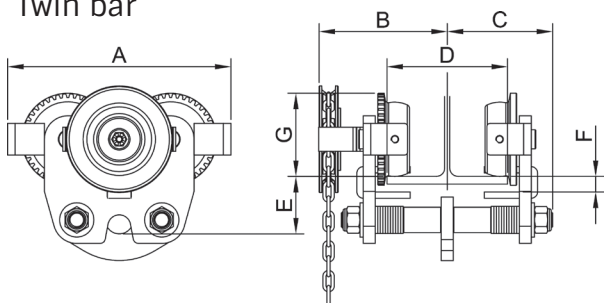
	Product Code	Type	Capacity (tons, T)	D - Track width			Dimensions (mm, in)						Min. curve ratio (m, ft)	Net Weight (lb)
				Range 1 (mm, in)	Range 2 (mm, in)	Range 3 (mm, in)	A	B	C	E	F	G		
Single Bar Trolleys	TPS-0050	Plain	0.5, 0.55	62-128, 2.44-5.03	62-203, 2.44-7.99	N/A	195, 7.67	106, 4.17	106, 4.17	98, 3.85	20, .78	64, 2.51	0.8, 2.63	11
	TPS-0100	Plain	1.0, 1.1	62-128, 2.44-5.03	62-203, 2.44-7.99	104-304, 4.09-11.96	213, 8.38	113, 4.44	113, 4.44	106, 4.17	20, .78	71, 2.79	1.0, 3.28	17
	TPS-0200	Plain	2.0, 2.2	88-154, 3.46-6.06	88-230, 3.46-9.05	104-304, 4.09-11.96	236, 9.29	136, 5.35	136, 5.35	132, 5.19	25, .98	80, 3.14	1.3, 4.27	27
	TPS-0300	Plain	3.0, 3.3	87-153, 3.42-6.02	88-230, 3.46-9.05	N/A	275, 10.83	146, 5.74	146, 5.74	150, 5.90	25, .98	97, 3.81	1.5, 4.92	43
	TPS-0500	Plain	5.0, 5.5	106-194, 4.17-7.63	106-305, 4.17-12.00	N/A	323, 12.71	169, 6.65	169, 6.65	174, 6.85	30, 1.18	117, 4.60	1.5, 4.92	68
Twin Bar Trolleys	TPT-0300	Plain	3.0, 3.3	87-153, 3.42-6.02	88-230, 3.46-9.05	N/A	320, 12.59	142, 5.59	142, 5.59	82, 3.22	16, .62	110, 4.33	1.5, 4.92	49
	TPT-0500	Plain	5.0, 5.5	106-194, 4.17-7.63	106-305, 4.17-12.00	N/A	352, 13.85	167, 6.58	166, 6.53	91, 3.58	24, .94	131, 5.15	1.5, 4.92	79
	TPT-0600	Plain	6.0, 6.6	106-205, 4.2-8.0	N/A	N/A	353, 13.89	175, 6.88	175, 6.88	91, 3.58	32, 1.26	131, 5.15	1.5, 4.92	78
	TPT-1000	Plain	10.0, 11.0	125-320, 4.92-12.59	N/A	N/A	346, 13.62	237, 9.33	236, 9.30	210, 8.27	40, 1.6	117, 4.60	1.5, 4.92	150
	TPT-1500	Plain	15.0, 15.5	150-320, 5.90-12.59	N/A	N/A	461, 18.15	271, 10.67	271, 10.67	248, 9.76	42, 1.65	182, 7.16	2.7, 8.86	318

Geared trolley

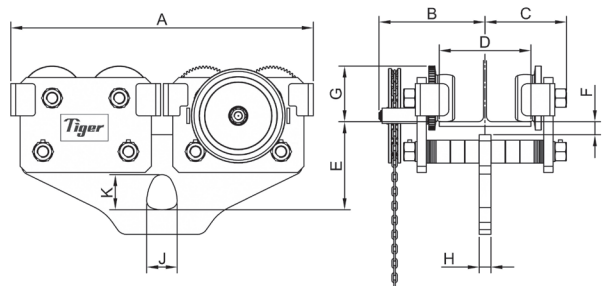
Single bar



Twin bar



3t - 15t



20t - 35t

Optional beam locking device

	Product Code	Type	Capacity (tons, T)	D - Track width		Dimensions (mm, in)								Min. curve ratio (m, ft)	Net Weight (lb)				
				Range 1 (mm, in)	Range 2 (mm, in)	A	B	C	E	F	G	H	J			K			
Single Bar Trolleys	TGS-0050	Geared	0.5, 0.55	62-128, 2.44-5.03	62-203, 2.44-7.99	195, 7.7	180, 7.1	106, 4.2	98, 3.9	20, 0.8	64, 2.5	10, 0.4	24, 0.9	30, 1.2	0.8, 2.6	20			
	TGS-0100	Geared	1.0, 1.1	62-128, 2.44-5.03	62-203, 2.44-7.99	213, 8.4	180, 7.1	113, 4.4	106, 4.2	20, 0.8	71, 2.8	10, 0.4	28, 1.1	34, 1.3	1.0, 3.3	25			
	TGS-0200	Geared	2.0, 2.2	88-154, 3.46-6.06	88-230, 3.46-9.05	236, 9.3	193, 7.6	136, 5.4	132, 5.2	25, 1.0	80, 3.1	12, 0.5	38, 1.5	45, 1.8	1.3, 4.3	37			
	TGS-0300	Geared	3.0, 3.3	87-153, 3.42-6.02	88-230, 3.46-9.05	275, 10.3	198, 7.8	146, 5.7	150, 5.9	25, 1.0	97, 3.8	13, 0.5	42, 1.7	52, 2.0	1.5, 4.9	54			
	TGS-0500	Geared	5.0, 5.5	106-194, 4.17-7.63	106-305, 4.17-12.00	323, 12.7	216, 8.5	169, 6.7	174, 6.9	30, 1.2	117, 4.6	16, 0.6	46, 1.8	60, 2.4	1.5, 4.9	79			
Twin Bar Trolleys	TGT-0300	Geared	3.0, 3.3	87-153, 3.42-6.02	88-230, 3.46-9.05	320, 12.6	194, 7.6	142, 5.6	82, 3.2	16, 0.6	110, 4.3	N/A			1.5, 4.9	52			
	TGT-0500	Geared	5.0, 5.5	106-194, 4.17-7.63	106-305, 4.17-12.00	352, 13.9	216, 8.5	166, 6.5	91, 3.6	24, 0.9	131, 5.2				1.5, 4.9	89			
	TGT-0600	Geared	6.0, 6.6	106-205, 4.2-8.0	N/A	353, 13.89	224, 8.81	175, 6.88	91, 3.58	32, 1.26	131, 5.15				1.5, 4.92	88			
	TGT-1000	Geared	10.0, 11.0	125-320, 4.92-12.59	N/A	346, 13.6	282, 11.1	243, 10.0	210, 8.3	40, 1.6	117, 4.6				1.5, 4.9	172			
	TGT-1500	Geared	15.5, 15.5	150-320, 6-13	N/A	461, 18.1	338, 9.4	271, 10.7	248, 9.8	42, 1.7	182, 7.2				2.7, 8.9	355			
	TGT-2000	Geared	20.0, 22.0	125-320, 4.9-12.59	N/A	706, 27.8	282, 11.1	263, 10.4	243, 9.6	40, 1.6	117, 4.6				30, 1.2	85, 3.3	95, 3.7	6.0, 19.7	353
	TGT-2500	Geared	25.0, 27.5	150-320, 6-13	N/A	706, 27.8	282, 11.1	263, 10.4	243, 9.6	40, 1.6	117, 4.6				35, 1.4	100, 3.9	115, 4.54	6.0, 19.7	375
	TGT-3000	Geared	30.0, 33.0	150-320, 6-13	N/A	961, 37.8	335, 13.2	263, 10.4	274, 10.8	42, 1.7	182, 7.2				35, 1.4	100, 3.9	115, 4.5	6.0, 19.7	743
TGT-3500	Geared	35.0, 38.6	150-320, 6-13	N/A	961, 37.8	335, 13.2	280, 11.0	274, 10.8	42±, 1.7	182, 7.2	38, 1.5	100, 3.9	115, 4.5	6.0, 19.7	752				

Standard geared trolley hand chain length - 2.5m (8.2 ft). We can change the length to suit your requirements.

