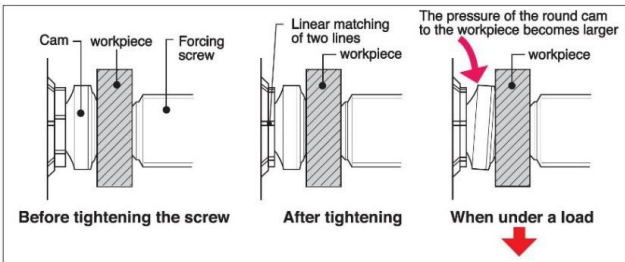
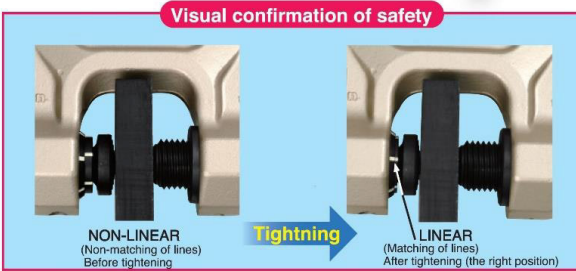
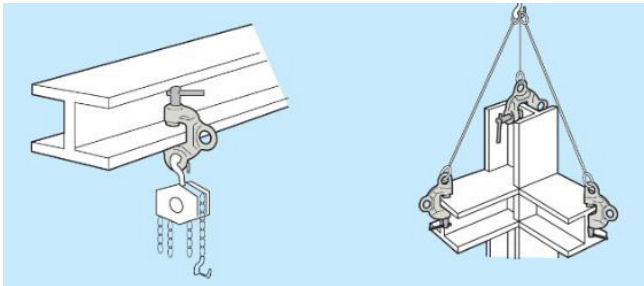


# Safety Screw Cam Clamp CSS

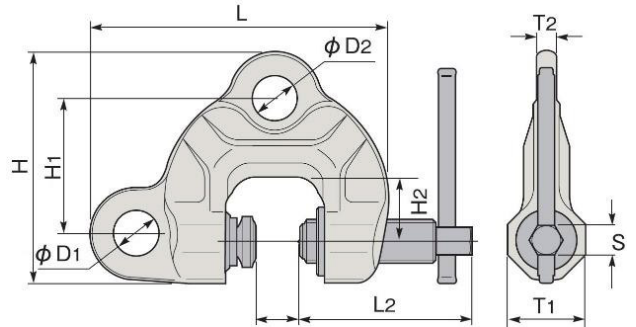
The Tiger CSS safety screw cam clamp with Double Eye Anchor Points & Safety Torque Feature is suitable for many applications. This screw cam clamp is for all-purpose uses, such as lifting, lateral pulling and turning over materials. Adequacy of tightening can be visually confirmed by the visual torque safety feature.



Examples of use:



Always lift work pieces at two or more points for safety



Product Code	Capacity (tons, lbs)	Dimensions (mm, in)											Net Weight (kg, lbs)
		Jaw Opening (mm, in)	L (mm, in)	L2 (mm, in)	H (mm, in)	H1 (mm, in)	H2 (mm, in)	D1 (mm, in)	D2 (mm, in)	T1 (mm, in)	T2 (mm, in)	S (mm, in)	
CSS-0050	0.5	0-25, 0-1.0	158, 6.2	89, 3.5	121, 4.8	72, 2.8	30, 1.2	27, 1.1	27, 1.1	46, 1.8	13, 0.5	17, 0.7	1.9, 4.2
CSS-0100	1	0-40, 0-1.6	208, 8.2	121, 4.8	161, 6.3	94, 3.7	45, 1.8	32, 1.3	32, 1.3	54, 2.1	14, 0.6	21, 0.8	3.6, 7.9
CSS-0200	2	0-40, 0-1.6	227, 8.9	121, 4.8	177, 7.0	105, 4.1	45, 1.8	36, 1.4	32, 1.3	60, 2.4	18, 0.7	21, 0.8	4.8, 10.6
CSS-0320	3.2	0-40, 0-1.6	252, 9.9	136, 5.4	196, 7.7	119, 4.7	50, 2.0	45, 1.8	35, 1.4	64, 2.5	20, 0.8	21, 0.8	7, 15.4
CSS-0630	6.3	0-40, 0-2.0	291, 11.5	151, 5.9	225, 8.9	132, 5.2	55, 2.2	50, 2.0	41, 1.6	90, 3.5	43, 1.7	21, 0.8	17, 37.5

