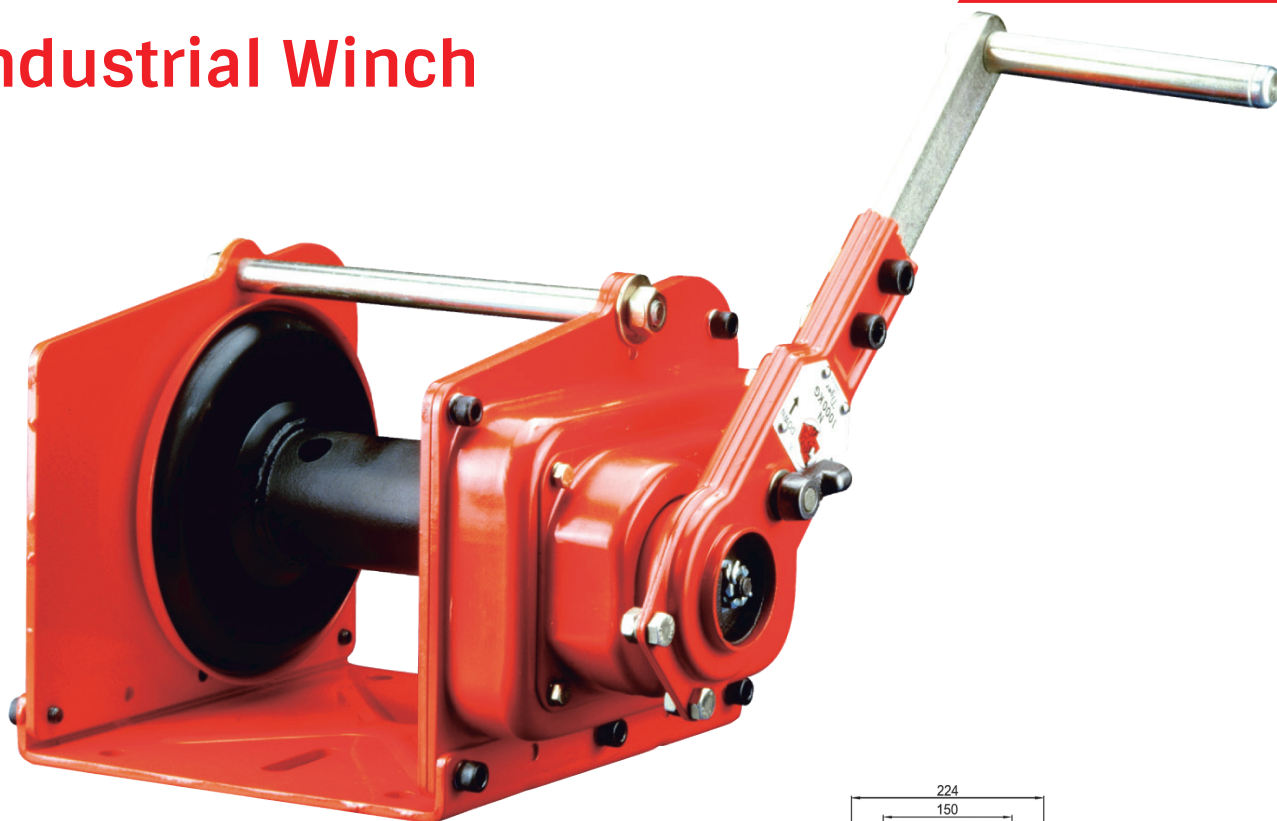
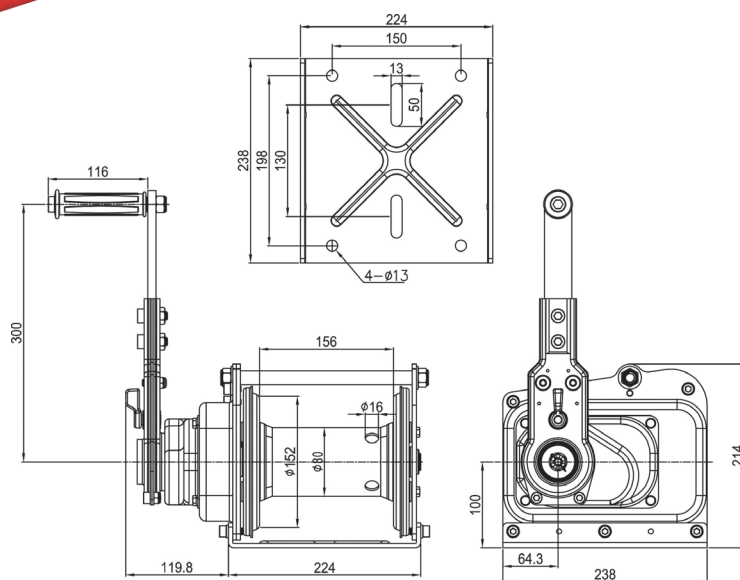


SF Industrial Winch



- 1t lifting & 2t pulling capacity
- Ratchet handle permits reciprocating handle movement in both directions for lifting and lowering loads
- Positive load-actuated brake can hold the load in any position
- Gears and brake are fully covered to prevent dust, dirt and rain contamination
- Very low operator effort is required for easy operation
- Ratchet handle accommodates installation in cramped locations such as wall and floor



Product Code	Pulling capacity (lbs/kg)	Lifting capacity (lbs/kg)	Hand force required (kg, lb)	Gear ratio	Hub diameter (mm, in)	Handle length (mm, in)	Unit weight (with handle) (kg, lb)	Cable diameter (mm/inch)	Cable storage cap. (m, ft)
SF-2200	4400/2000	2200/1000	10.0, 22.0	22.2:1	ϕ 80, ϕ 0.39	300, 11.8	17.5, 38.6	ϕ 8.0, ϕ 5/16	32,104