

# Beam Anchor

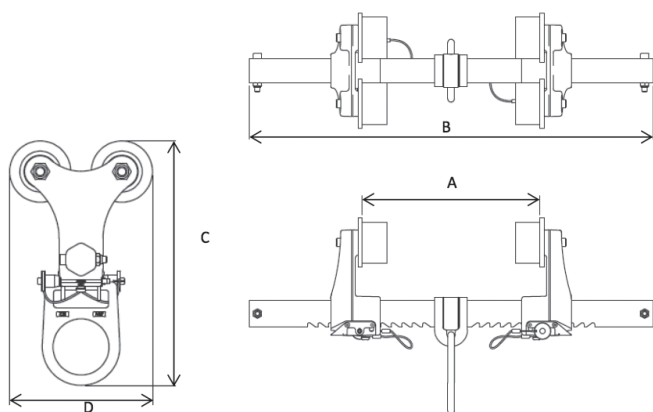
Tiger beam anchors are used as anchorage connectors for personal fall arrest systems. They are designed to be attached to Horizontal I-Beams with an attached personal fall arrest system (full body safety harness, shock absorbing lanyard or fall arrest block). The Tiger single jaw sliding clamp can also be attached to Vertical I-Beams.

**Beam Flange Sizes:** The Fixed Beam Anchor may only be installed on beams with flanges within the adjustment range of the model.

**Capacity:** This Fixed Beam Anchor is designed for **one person use only**, with a combined weight (clothing, tools, etc.) of no more than 309 lbs (140kgs). No more than one personal protective system may be connected to this equipment at one time.

- CE Certified - CE 1019
- Minimum Breaking Strength 22.3kN (5,000lb/2.27tonne)
- Capacity 140 kg (309 lbs)
- Quick and versatile anchorage point for personal fall protection equipment
- Easy adjustment
- Beam width ranges 2.5" to 24", 6.35cm to 60cm
- Maximum flange thickness 1.5", 3.8cm
- Unit weight from 1.9kg - 3.5kg (4.2 - 7.85 lbs)
- These units meet the requirements of EN 795:2012/B and ANSI/ASSE Z359.1-2007

## Rolling type



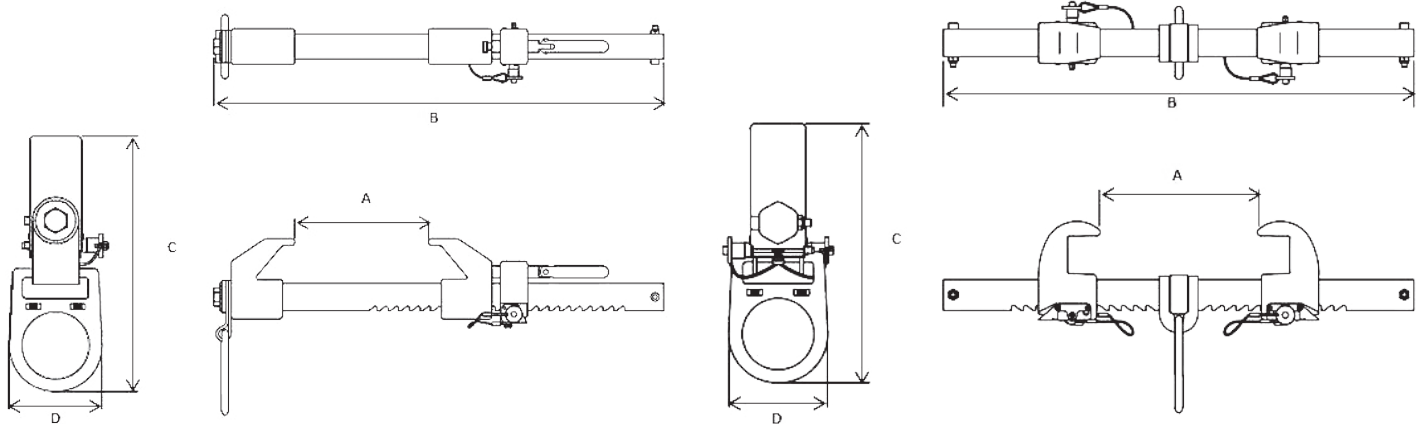
Rolling type two-jaw sliding



Description	Product Code	Beam Flange Size	Net Weight (lb)
Mobile Rolling Type Two-Jaw Sliding Horizontal Beam Use	TYAA231	2.5" to 12", 6.35 cm to 30.0 cm	6.61
	TYAA232	2.5" to 18", 6.35 cm to 45.0 cm	7.23
	TYAA233	2.5" to 24", 6.35 cm to 60.0 cm	7.85

Maximum flange thickness 1.5", 3.8cm

# Fixed type



Fixed type single-jaw sliding

Fixed type two-jaw sliding

Description	Product Code	Beam Flange Size	Net Weight (lb)
Fixed Type Single-Jaw Sliding Horizontal & Vertical Beam Use	TYAA141	2.5" to 12", 6.35 cm to 30.0 cm	5.59
	TYAA142	2.5" to 18", 6.35 cm to 45.0 cm	6.24
	TYAA143	2.5" to 24", 6.35 cm to 60.0 cm	6.87
Fixed Type Two-Jaw Sliding Horizontal Beam Use	TYAA211	2.5" to 12", 6.35 cm to 30.0 cm	4.25
	TYAA212	2.5" to 18", 6.35 cm to 45.0 cm	4.89
	TYAA213	2.5" to 24", 6.35 cm to 60.0 cm	5.53

Maximum flange thickness 1.5", 3.8cm