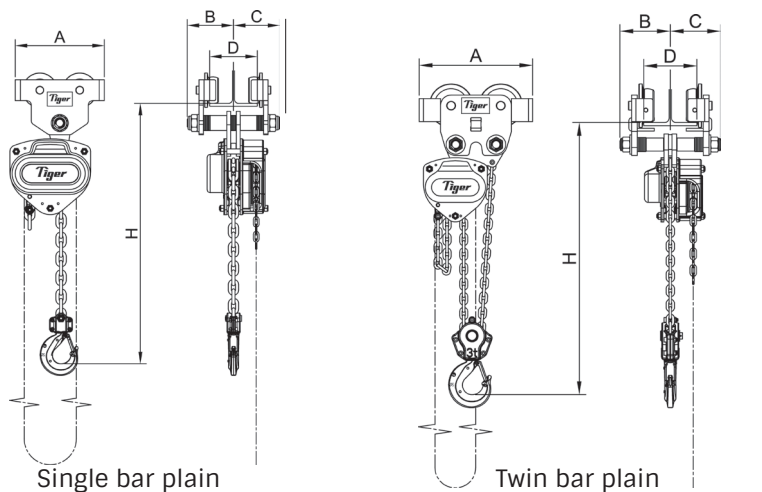


Combination Chain Block and Trolley



Single bar plain

Twin bar plain



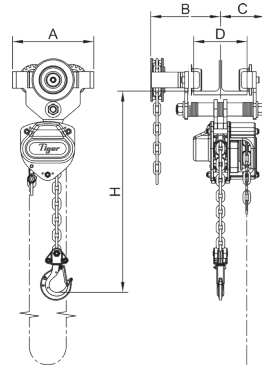
Spark resistant version

- Range from 0.5t to 35t
- Ideal for locations where headroom is limited
- Geared and plain trolley versions available
- Can be chained up to meet your specific requirements
- Twin bar or single bar trolley options
- Corrosion or spark resistant versions available
- Chain Carrier available
- Extended beam width available (Range 2)

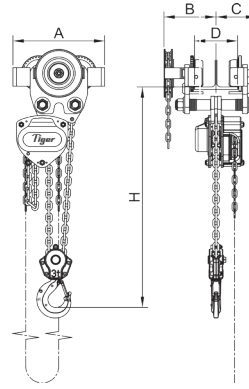
Plain/Push combination units

	Product Code	Capacity (tons, T)	D - Track width		Dimensions (mm, in)				Unit weight w/ standard lift (lb)
			Range 1 (mm, in)	Range 2 (mm, in)	A	B	C	H	
Single Bar Trolleys	CCBTPS-0050	0.5, 0.55	80-128, 3.14-5.03	80-203, 3.15-7.99	195, 7.67	106, 4.17	106, 4.17	310, 12.20	35.2
	CCBTPS-0100	1.0, 1.1	80-128, 3.14-5.03	80-203, 3.15-7.99	213, 8.38	113, 4.44	113, 4.44	340, 13.39	43.0
	CCBTPS-0200	2.0, 2.2	112-154, 4.41-6.06	112-230, 4.40-9.05	236, 9.29	136, 5.35	136, 5.35	420, 16.54	72.8
	CCBTPS-0300	3.0, 3.3	111-153, 4.37-9.02	111-230, 4.37-9.05	275, 10.83	146, 5.74	146, 5.74	504, 19.84	106.9
Twin Bar Trolleys	CCBTPT-030T	3.0, 3.3	105-153, 4.13-6.02	105-230, 4.13-9.05	320, 12.59	142, 5.74	142, 5.74	460, 18.11	100.3
	CCBTPT-0500	5.0, 5.5	126-194, 4.96-7.63	126-305, 4.96-12.00	352, 13.85	167, 6.57	166, 6.57	660, 25.98	152.1
	CCBTPT-1000	10.0, 11.0	125-320, 4.91-12.60	N/A	460, 18.11	255, 10.03	255, 10.03	730, 28.74	407.9
	CCBTPT-1500	15.0, 16.5	150-320, 5.90-12.60	N/A	461, 18.14	276, 10.86	276, 10.86	827, 232.55	604

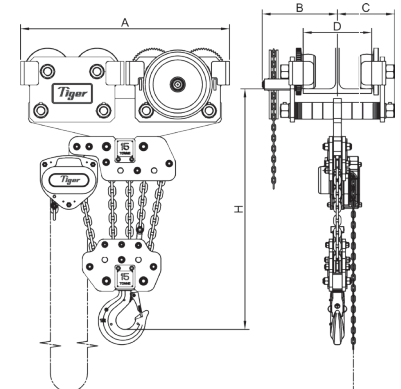
Standard height of lift (HOL) of chain block - 3m (9.8 ft). We can change this to suit your requirements.



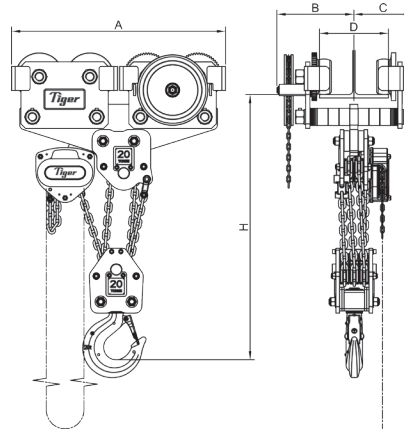
Single bar geared



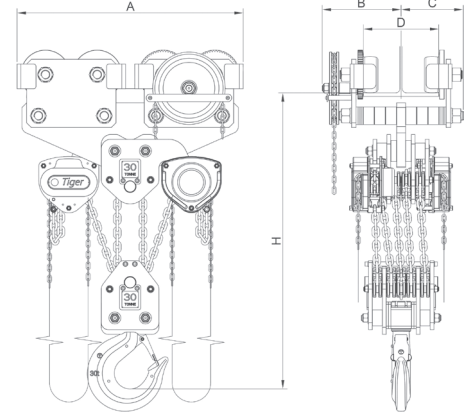
Twin bar geared 3.0t - 10t



Twin bar geared 15t



Twin bar geared 20t



Twin bar geared 30t - 35t

Geared trolley combination units

	Product Code	Capacity (tons, T)	D - Track width		Dimensions (mm, in)				Unit weight w/ standard lift (lb)
			Range 1 (mm, in)	Range 2 (mm, in)	A	B	C	H	
Single Bar Trolleys	CCBTGS-0050	0.5, 0.55	80-128, 3.14-5.03	80-203, 3.15-7.99	195, 7.67	180, 7.09	106, 4.17	310, 12.20	44.1
	CCBTGS-0100	1.0, 1.1	80-128, 3.14-5.03	80-203, 3.15-7.99	213, 8.38	180, 7.09	113, 4.44	340, 13.39	51.8
	CCBTGS-0200	2.0, 2.2	112-154, 4.40-6.06	112-230, 4.40-9.05	236, 9.29	195, 7.68	136, 5.35	420, 16.54	82.7
	CCBTGS-0300	3.0, 3.3	111-153, 4.37-6.02	111-230, 4.37-9.05	275, 10.83	198, 7.79	146, 5.74	504, 19.84	117.9
Twin Bar Trolleys	CCBTGT-030T	3.0, 3.3	105-153, 4.13-6.02	105-230, 4.13-9.05	320, 12.59	181, 7.12	142, 5.74	460, 18.11	129.0
	CCBTGT-0500	5.0, 5.5	126-194, 4.96-7.63	126-305, 4.96-12.00	352, 13.85	218, 8.58	166, 6.53	545, 21.45	164.2
	CCBTGT-1000	10.0, 11.0	125-320, 4.92-12.59	N/A	460, 18.11	335, 13.18	255, 10.03	660, 25.98	440.9
	CCBTGT-1500	15.0, 16.5	150-320, 5.90-12.59	N/A	930, 36.61	335, 13.18	255, 10.03	880, 34.64	925.9
	CCBTGT-2000	20.0, 22.0	125-320, 4.92-12.59	N/A	930, 36.61	335, 13.18	255, 10.03	1000, 39.37	1014.1
	CCBTGT-3000	30.0, 33.0	150-320, 5.90-12.59	N/A	990, 38.97	348, 13.70	267, 10.51	1145, 45.07	1411.0
	CCBTGT-3500	35.0, 38.5	150-320, 5.90-12.59	N/A	1009, 39.72	335, 13.18	274, 10.78	1145, 45.07	1435

Standard geared trolley hand chain length - 2.5m (8.2 ft). We can change the length to suit your requirements.
 Standard height of lift (HOL) of chain block - 3m (9.8 ft). We can change this to suit your requirements.