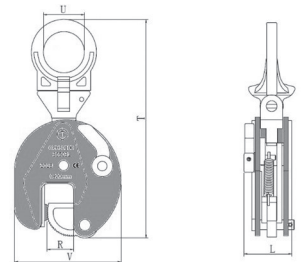


# Universal Plate Clamp CPU

The Tiger CPU Clamp can be used for lifting and transporting steel plates and structures from all positions (horizontal, vertical and sidelong). As well as transporting plate, this clamp is well-suited to turning over steel structures and welded constructions. It has an articulated lifting shackle so it can be fitted to a steel plate in any position. It is designed to be used with a two leg chain sling for lifting longer plates without the need for a spreader beam. The CPU is equipped with a pre-tension mechanism ensuring the clamp does not slip when lifting force is applied and when a load is being lowered. For use with plates with surface hardness of up to 300 Brinell (HB) / 32 Rockwell C (HRC).

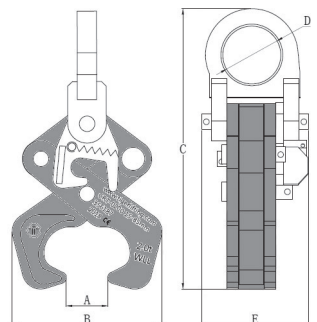
Plate Clamps should not be used if the surface temperature of the material being lifted is above 100°C. (212°F). The ambient temperature of the operating environment should not be lower than -20°C (-4°F) and not be higher than +50°C. (122°F).



Product Code	Capacity (tons, lbs)	Dimensions (mm, in)					Net Weight (kg, lbs)
		Jaw Opening R (mm, in)	T (mm, in)	U (mm, in)	V (mm, in)	L (mm, in)	
CPU-0050	0.5, 1100	0-15, 0-0.6	205, 8.1	30, 1.2	105, 4.1	48, 1.9	2.0, 4.4
CPU-0100	1.0, 2200	0-20, 0-0.8	300, 11.8	50, 2.0	145, 5.7	66, 2.6	5.0, 11.0
CPU-0200	2.0, 4400	0-25, 0-1.0	385, 15.2	68, 2.7	175, 6.9	75, 3.0	8.0, 17.6
CPU-0320	3.2, 7000	0-30, 0-1.2	430, 16.9	75, 3.0	215, 8.5	102, 4.0	15.0, 33.1
CPU-0500	5.0, 11,000	0-50, 0-2.0	500, 19.7	68, 2.7	232, 9.1	112, 4.4	21.0, 46.3

# Rail Clamp CRT

The Tiger CRT rail clamps are designed for lifting and pulling single rails lengthways and crossways. securely and safely. The clamps are designed to fit most types of rail section currently in use. The clamps are locked onto the rail-head via a lever operated spring mechanism. Very solid, practical design with low dead weight. For rail sizes 549, 554, S60s, UIC60.



Product Code	Capacity (tons, lbs)	Dimensions (mm, in)					Net Weight (kg, lbs)
		Jaw Opening A (mm, in)	B Max (mm, in)	C Max (mm, in)	D (mm)	E (mm, in)	
CRT-0200	2.0, 4400	15-85, 0.6-3.3	170, 6.7	302, 11.9	60, 2.4	111, 4.4	6.2, 13.7

