

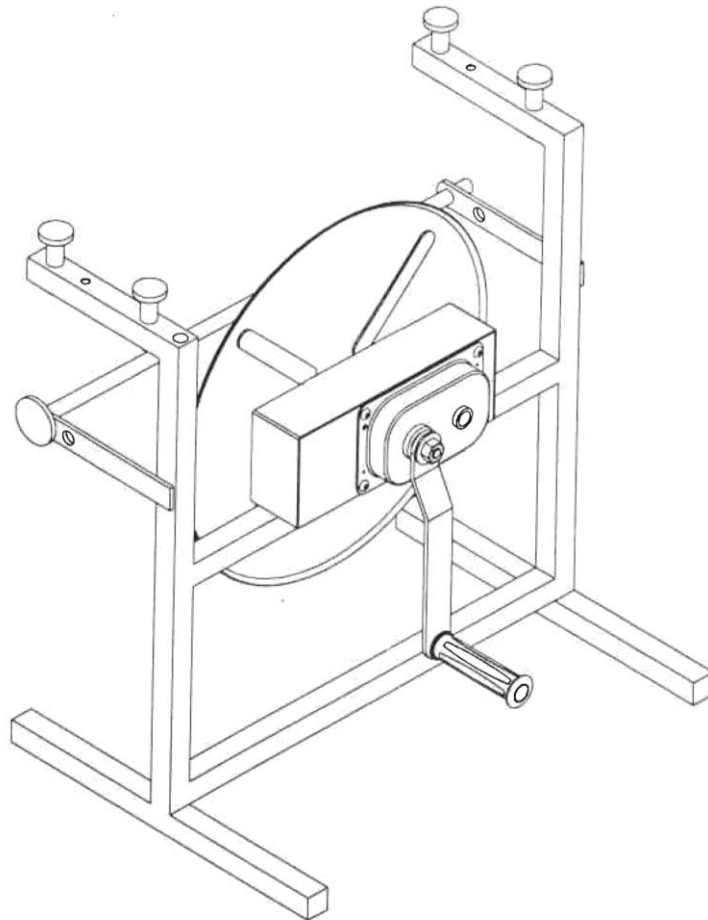


CE
Tiger

FIRE HOSE WINDER

Operating Instructions

MODEL NO: FH-02



A Advantages of this machine

- 1.The hose,after winding by this machine, becomes very flat and tight that can be removed quickly.
- 2.The hose's tight packing makes precise execution at fire site that saves time for rescue.
- 3.The hose's tight packing takes smaller space which increases cargo space, and fire fighters don't have to worry about the hose getting loose when running with it.
- 4.When fire rescue over, the hose was filled with water, this machine can also do quick winding and get rid of water.
- 5.When the machine is doing the job, it becomes easier for clean up work and maintenance.
- 6.It avoids the way they knee down to wind the hose., many retired fire fighters got spinal injury because of this.
- 7.It can avoids hand injuries caused by glass chips and sharp articales attached to the hose when winding hose by hand.

B Two methods of winding:

- 1.Single side winding-----when the hose is empty.(As Figure 1.)

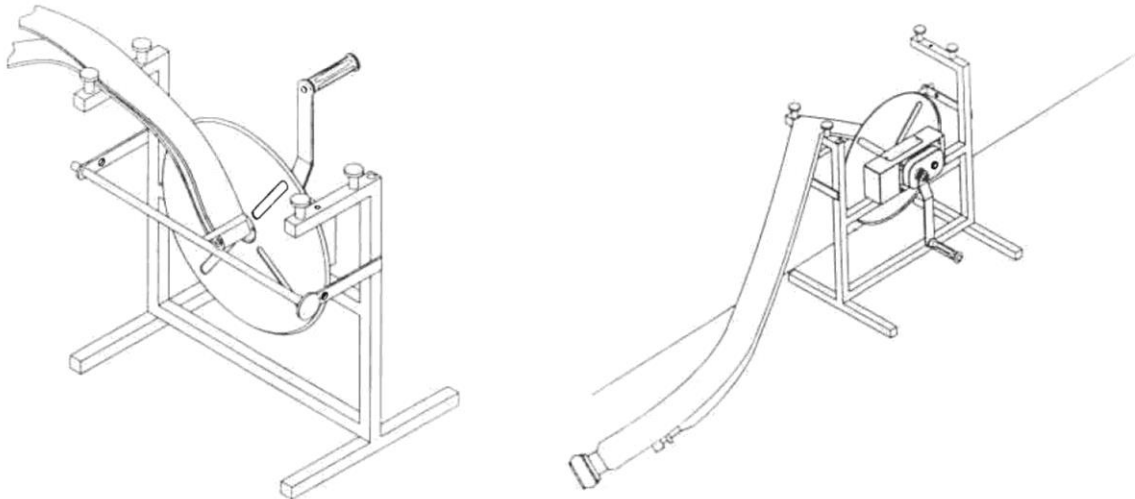


Figure 1.

- 2.Double side winding-----when the hose is filled with or without water.(As Figure 2.)

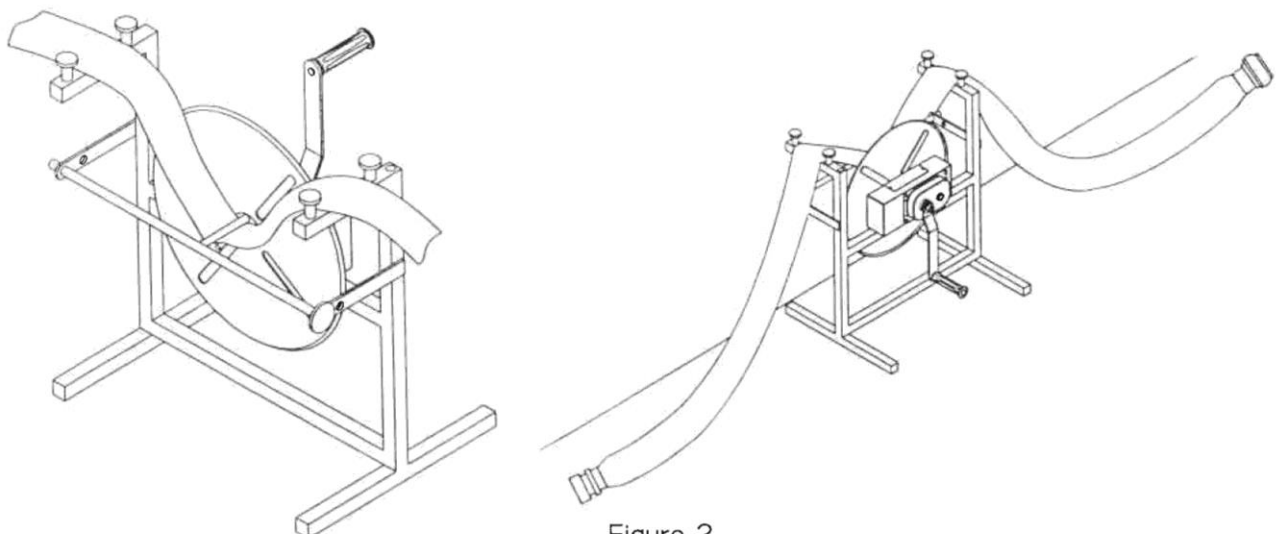


Figure 2.

Attention:When using double side winding, the operator should stand by the handle side, then the male coupling must be on the left and the female coupling to the right. It will works best and saves time.

C How to decide where to start?

In order to make sure to wind the hose regularly, i.e., the female coupling covers the male coupling (As Figure 3)

Please, before first time using it, find the starting point of the hose and make a mark on it.

■ For example, a 20 meter hose, steps as follow:

1. First, lay the hose flat on the floor. (Figure 4)



Figure 4.

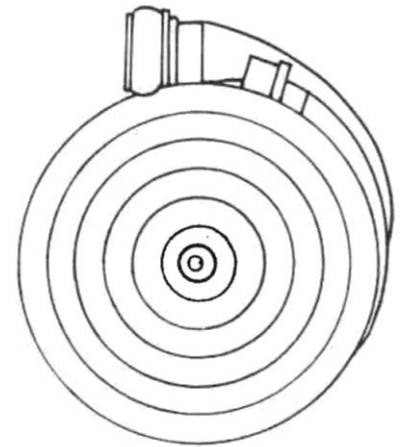


Figure 3.

2. Bend the hose in the middle, the male coupling below, and the female coupling on the top, (as Figure 5)

the female coupling must surpass the male coupling by 75~80cm (30~32 inches).

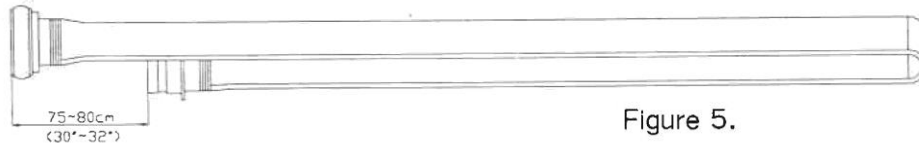


Figure 5.

3. Please make a mark on where the hose bends, this is the starting point of winding, place the starting point in between two-axis, on the machine and start the first winding, when completed, if the female coupling covers the male coupling standardly, that means the starting point is correct. In the future, no matter what method of winding (single or double side winding) as long as start from this point, the hose will be packed standardly tight. But if two couplings are too much misplaced, that means you need to correct the bending point.

4. After hose winding, turn the handle anticlockwise, makes main axis back up that will removes the hose more easily.

D When the hose is filled with water:

If the hose is filled with water, operator doesn't need to get rid of water, just place the hose flat, using double side winding (**remember: the hose can not be folded**), the water will be discharged during the winding process.

E How to reducing the friction of hose coupling on the ground:

Suggest using Figure 6 and Figure 7 instruction, but the hose must be empty.

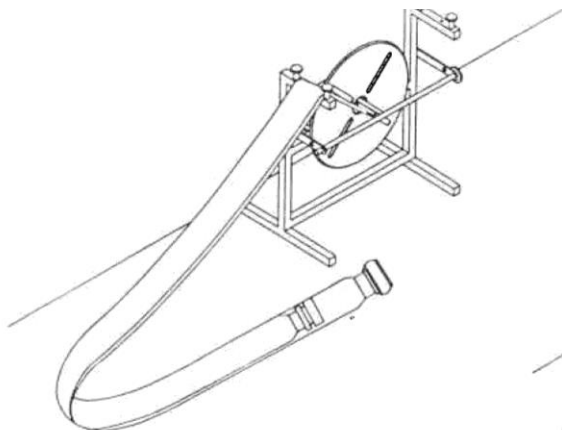


Figure 6.

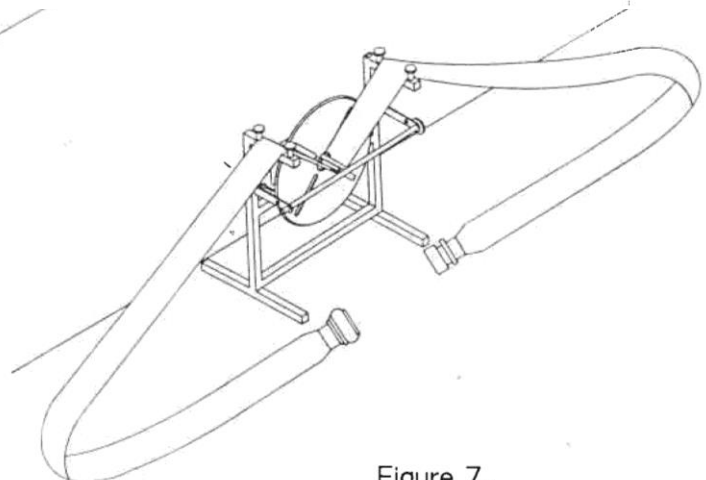


Figure 7.

Exploded Diagrams

