



BHW

Brake Hand Winch



ORIGINAL INSTRUCTION GUIDE

- PLEASE PASS ONTO OPERATOR

Sticker here



www.tigerlifting.com

Instruction Guide Tiger BHW En 201803 v1.0





Operator Instruction Guide



MUST READ BEFORE USE

1. It is important that this manual is read and fully understood and that all instructions are followed before using this Tiger product.
2. Inspect the machine and accessories for any damage or wear before use. Do not use the machine if it is not in good working order.
3. When a “DO NOT OPERATE” sign is placed on the product, do not operate until the sign has been removed by designated personnel.
4. The product must be operated, inspected, maintained and repaired by a competently trained person in accordance with applicable safety codes and regulations.
5. Do not use the machine to lift, support or transport people in any way.
6. Do not lift loads over or near people.
7. Never work under or near raised loads.
8. The machine is for manual operation only. Do not attempt to use a motorized mechanical device to operate the machine.
9. Do not use the product in explosive environments unless an ATEX version has been supplied.
10. It is the responsibility of the operator to exercise caution, use good practice, common sense and be familiar with proper rigging techniques.
11. Improper use could result in death or serious injury.
12. The supplier takes no responsibility for any form of consequential loss or damage as the result of unauthorised repair or use of spare part other than those issued on behalf of the manufacturer/supplier.

Contents:

1. Safety Information	2	5. Technical Data	5
2. Function/Operation	2	6. Product Warranty and Warnings	8
3. Inspection, Examination and Maintenance	4	7. Inspection Log	9
4. Transport, Storage, Decommissioning and Disposal	4		

For details of the full Tiger product range visit our website: www.tigerlifting.com

Due to our policy of continual product development, dimensions, weights and specifications may change without prior notice.

© Copyright Tiger Lifting UK Limited. No part of this manual shall be reproduced, transmitted, transcribed, translated into any language human or electronic, stored in any electronic retrieval system, in any form without the written permission of Tiger Lifting UK Limited, Alnwick, UK



1. Safety Information

The operating company is responsible for the proper and professional instruction of the operating personnel. The personnel responsible for operation, maintenance or repair of the product must read, understand and follow these operating instructions. These instructions are intended to make the user familiar with the product and enable them to use it to the full extent of its intended capabilities.

The operating instructions must always be available at the place where the product is operated. Apart from the operating instructions and the accident prevention act valid for the respective country and area where the product is used, statutory regulations and procedures along with the commonly accepted regulations for safe and professional work must also be adhered to. The indicated protective measures will only provide the necessary safety if the product is operated correctly and installed and/or maintained according to the instructions. The operating company must be committed to ensure safe and trouble-free operation of the product.

Health and Safety at Work

All equipment must be maintained and tested to meet relevant statutory It is the responsibility of every company to ensure that their employees have been fully and properly trained in the safe operation of their equipment.

Equipment Labelling

The identification body plate details the product type, model, manufacturer, capacity and serial number. The CE marking indicates compliance with the essential health and safety requirements of the Machinery Directive 2006/42/EC.

Safety Instructions

! WARNING

- Always** store and handle the winch correctly.
- Always** inspect the winch for damage or wear before use and before placing into storage.
- Always** ensure there are three complete coils of wire/strap on the drum prior to applying load.
- Always** replace wire that is showing wear or damage.
- Always** keep the winch clean and maintained.

- Never** use the machine to lift or support people in any way.
- Never** overload the machine as this could cause damage to person or machine.
- Never** extend the crank handle.
- Never** use defective winches.
- Never** expose to chemicals, particularly acids, without consulting the supplier.
- Never** expose to the elements, water spray, steam etc without consulting the supplier.
- Never** throw or drop winches.
- Never** keep the winch under continuous loading.
- Never** apply a load on a winch with the cable/strap fully extended.
- Never** oil or grease the brake mechanism.

2. Function/Operation

The Tiger Brake Winch is a high quality multi-purpose winch used for a wide variety of lifting and hoisting applications. The automatic brake ensures the load remains suspended when the crank is released and avoids unchecked descent of the load; there is no freewheeling making the hand winch extremely safe to operate. Only use this winch for the purpose for which it was designed. The Noiseless 1200lb Model (BHW-1200N) is equipped with a unique quiet brake design that is virtually silent.

The winch can be used with a strap or with a cable. Please refer to the following diagrams for strap and cable installation.

Fixing a strap to the drum:

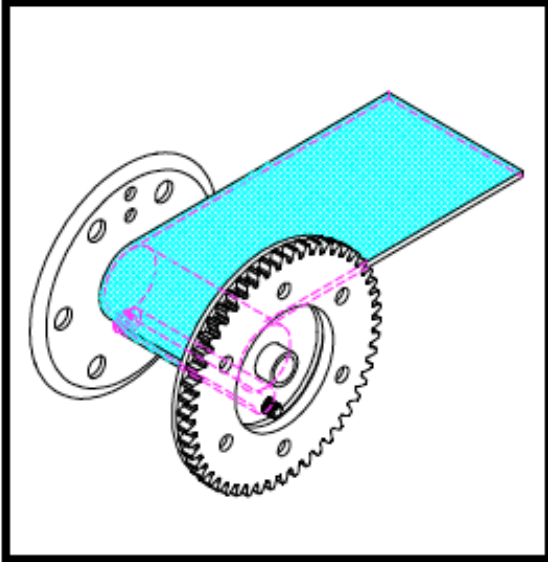


Figure 1

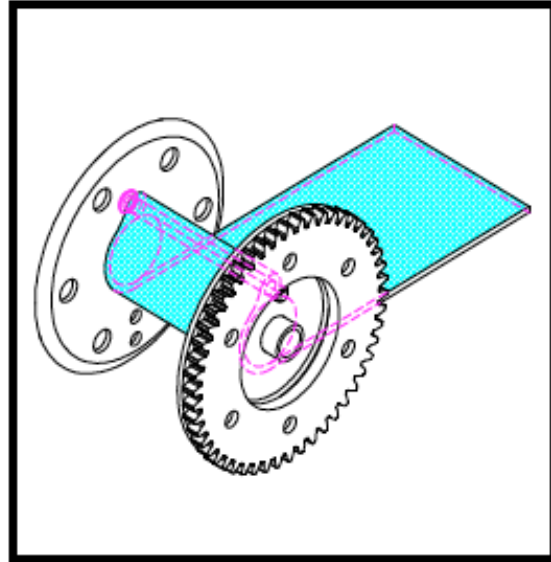


Figure 2

For 800lb, 1200lb and 1800lb capacity winches (BHW-800, BHW-1200, BHW-1800) please refer to figure 1.
 For 2600lb capacity winches (BHW-2600) please refer to figure Please refer figure 2.
 Completely tighten the bolt.

Fixing a cable to the drum:

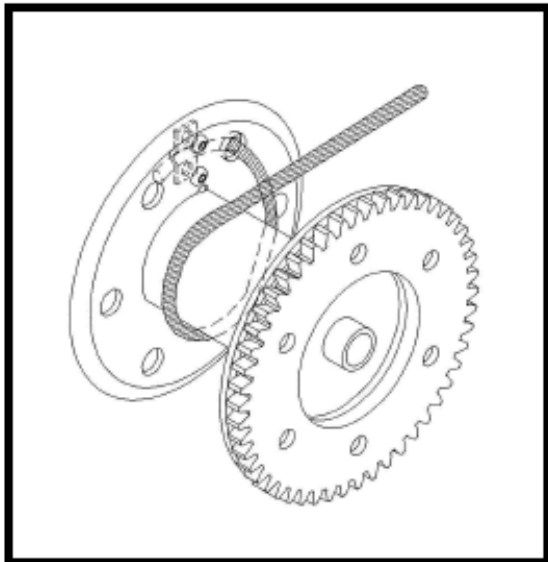


Figure 3

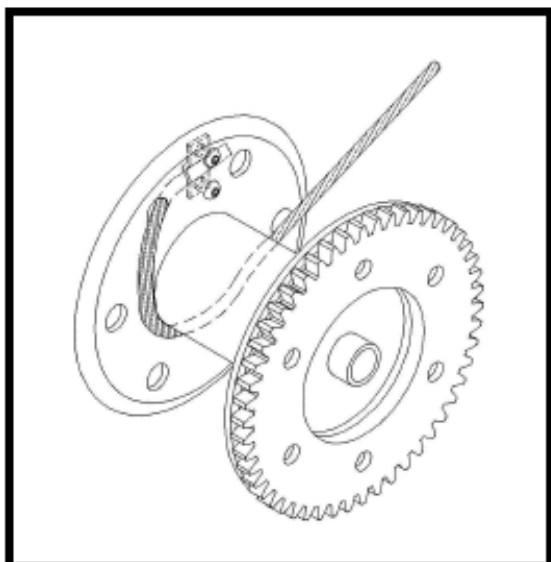


Figure 4

For 800lb, 1200lb and 1800lb capacity winches (BHW-800, BHW-1200, BHW-1800) please refer to figure 3.
 For 2600lb capacity winches (BHW-2600) please refer to figure Please refer figure 4.
 Completely tighten the screw of the Fixing Device.



To lift the load, rotate the handle clockwise. When releasing the handle, the load remains suspended. To lower the load, rotate the handle counter-clockwise.

For BHW winches with the optional dual handled pinion shaft, the BHW-0800 (800lb) and BHW-1200 (1200lb) models are supplied with two handles, as the fittings for each side are not the same. The BHW-1800 (1800lb) and BHW-2600 (2600lb) models come with one handle that fits on either side or may have been supplied with one for each side if requested at the time of order. A handle fitted on the opposite side to the standard fitting will need to be rotated counter-clockwise to lift the load and clockwise to lower the load.

Keep at least three complete coils of wire/strap on the drum before to applying load. If the winch cannot be cranked easily with one hand, it is probably overloaded.

3. Inspection, Examination and Maintenance

According to national and international accident prevention and safety regulations (for example LOLER for the UK), lifting equipment must be inspected:

- in accordance with the risk assessment of the operating company
- prior to initial operation
- before the unit is put into service for any subsequent use
- after substantial changes
- however, at least once per year, by a competent person.

The intervals of inspection must be determined by the individual application and are based upon the type of service to which the winch will be subjected.

- Keep the winch clean and maintained. It is your responsibility and duty of care.
- Inspect the winch prior to each usage for damage or wear.
- The intervals for maintenance should be determined by the working conditions and usage of the winch. You must follow your own safety guidelines and procedures.
- This winch has been fully lubricated at the factory, but for continued smooth performance and increased life, occasionally grease the gears, reel shaft and handle threads.
- Do not oil or grease the brake mechanism.
- If installed in the open, the winch must be protected from dust, dirt and rain and should be inspected and lubricated more often.
- It is recommended that for optimum performance and to prolong the life of this winch that at regular intervals maintenance should be undertaken by an authorised repair agent.
- Only authorised repair agents should perform repairs and testing. Use only genuine authorised replacement parts.

4. Transport, Storage, Decommissioning and Disposal

Transporting the unit:

- Do not drop or throw the unit, always deposit it carefully.
- Use suitable transport means. These depend on the local conditions.

Storing or temporarily taking the unit out of service:

To ensure the continuing integrity of the unit you should store the unit in conditions that do not lead to damage or deterioration. Therefore:

- Inspect winches and accessories before placing into storage.
- **Never** return damaged winches to storage.
- The unit should be secured against unauthorised and unwarranted use.
- Store the unit in a clean and dry place.



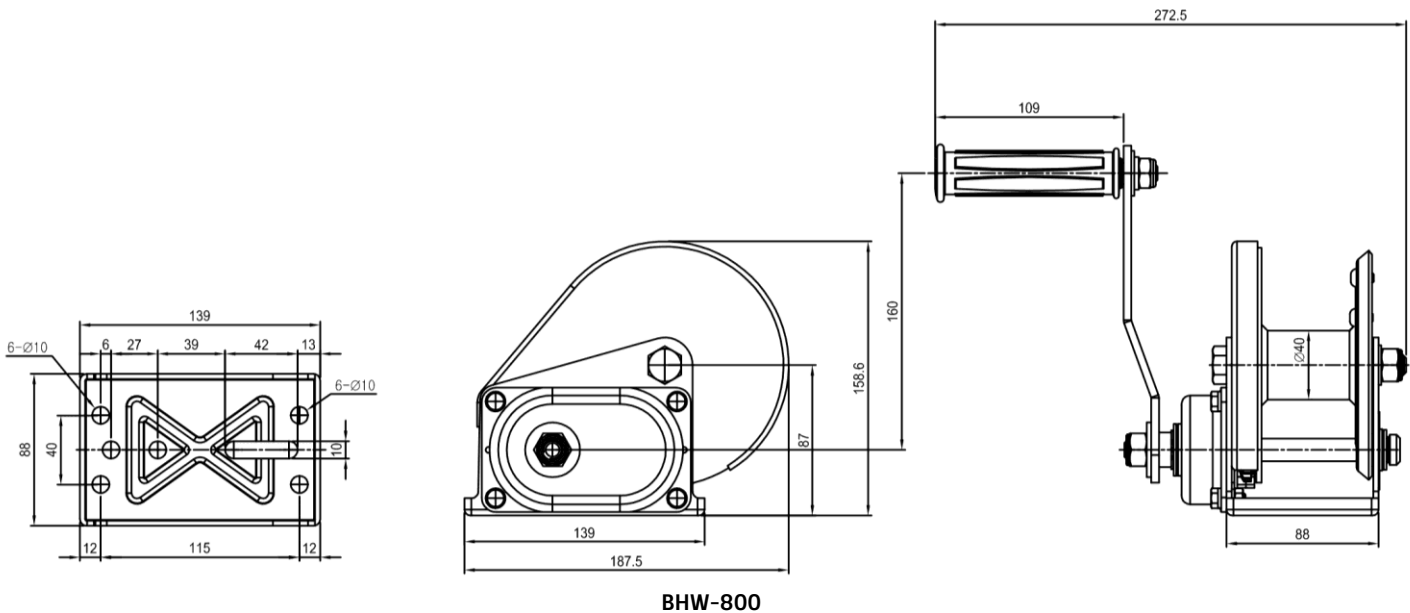
- Protect the unit including all accessories against contamination, humidity, sharp objects, direct sunlight, chemicals and damage by means of a suitable cover.
- Protect against corrosion.
- Wipe off all dirt and water.
- A light oil film should be applied to moving parts.
- If the unit is to be used again after it has been taken out of service, it must first be inspected again by a competent person.

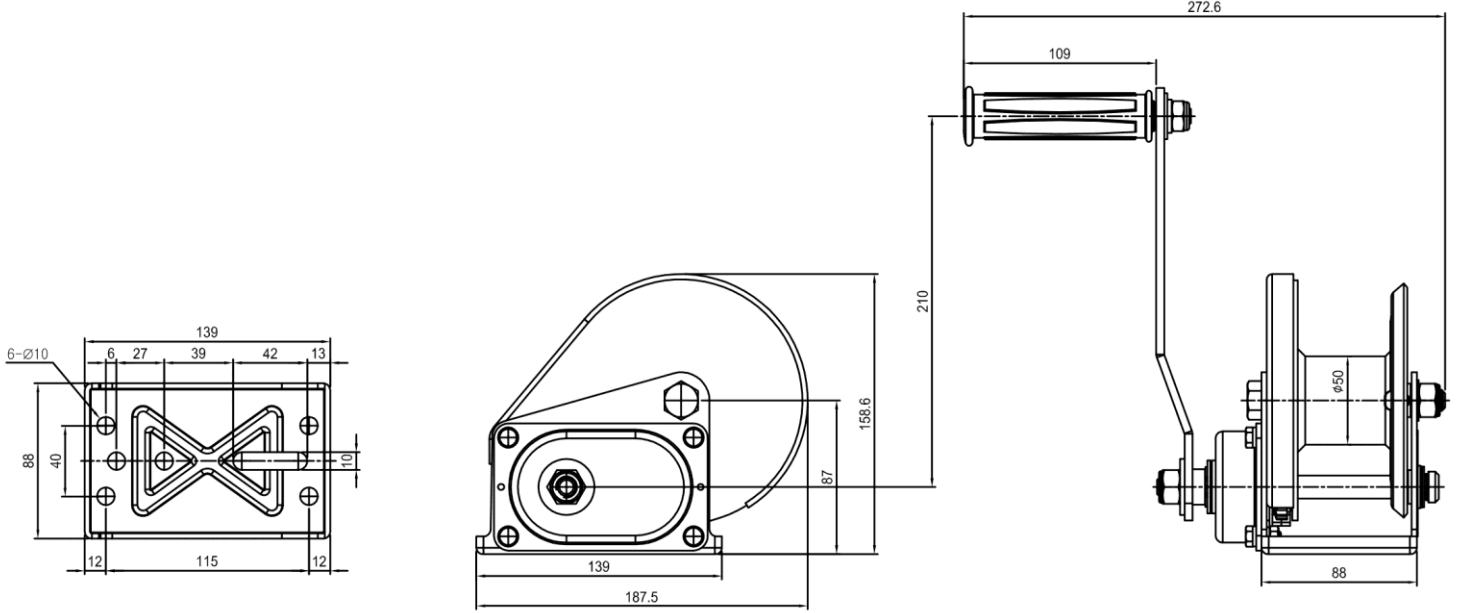
Disposal

When the product comes to the end of its lifecycle, after taking the unit out of service, recycle or dispose of the parts of the unit respecting local and national environmental regulations.

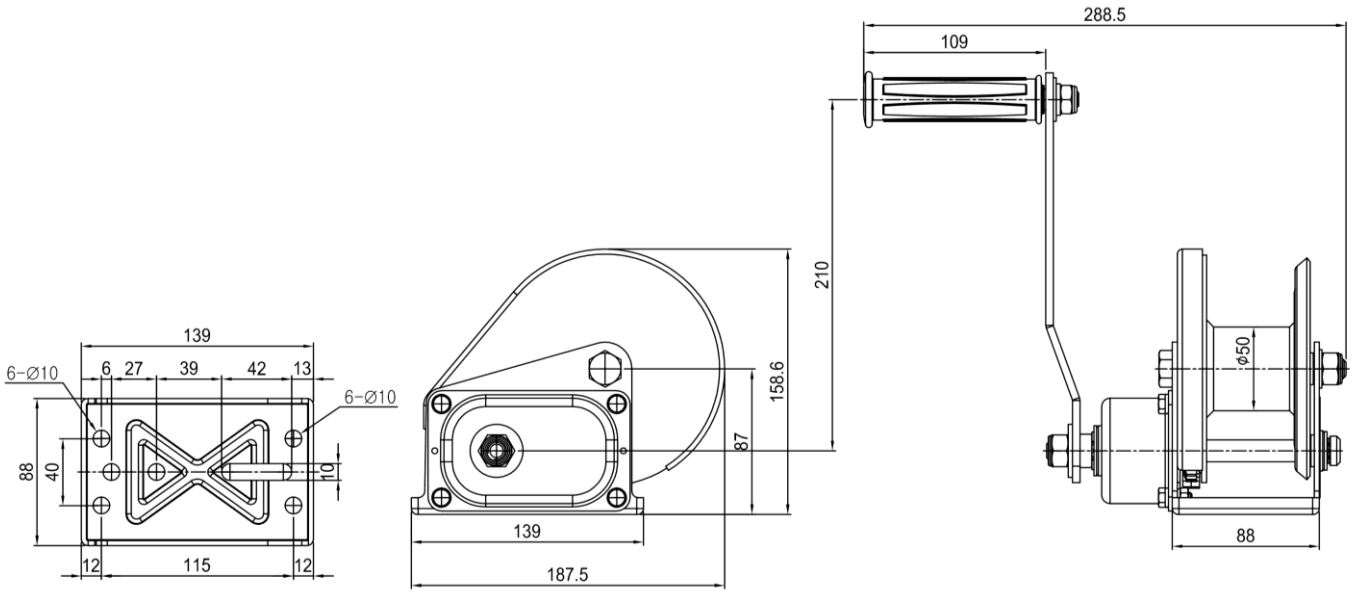
5. Technical Information

Product Code	Pulling Capacity (lbs/kg)	Lifting Capacity (lbs/kg)			Gear Ratio	Hub Diameter (mm)	Handle Length (mm)	Unit Weight (kg)	Cable Diameter (mm/inch)	Cable Storage Cap. (m)	Strap Storage Cap. (m)
		1 st Layer	Mid Layer	Last Layer							
BHW-0800	800/360	800/360	560/254	400/180	4.1:1	ø40	160	3.0	ø4/ø5/32	36	9.1
BHW-1200	1200/550	1200/550	864/392	600/275	4.1:1	ø50	210	3.5	ø5/ø3/16	23	8.5
BHW-1800	1800/800	1800/800	1239/562	900/400	5:1	ø70	320	8.0	ø6/ø1/4	24	14.1
BHW-2600	2600/1180	2600/1180	1861/844	1300/590	10:1	ø82	320	10.5	ø8/ø5/16	18	10.6



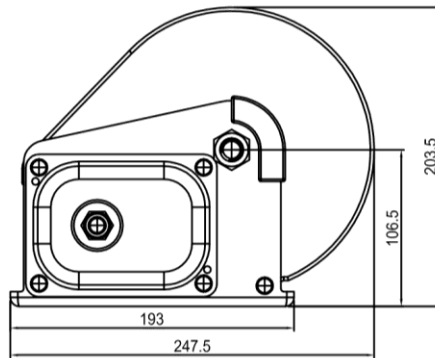
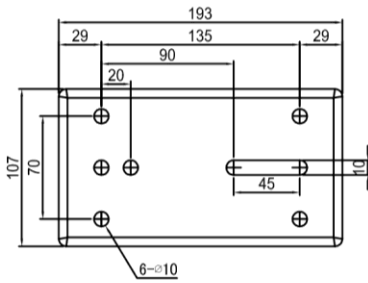


BHW-1200

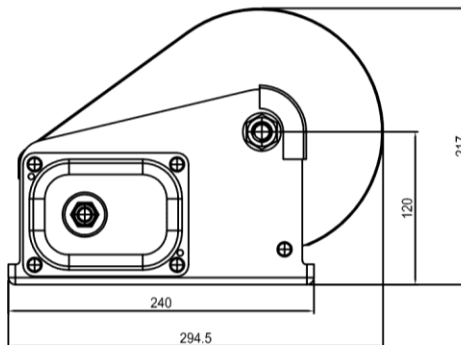
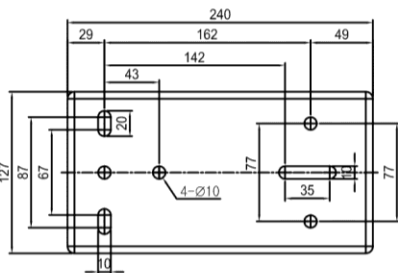
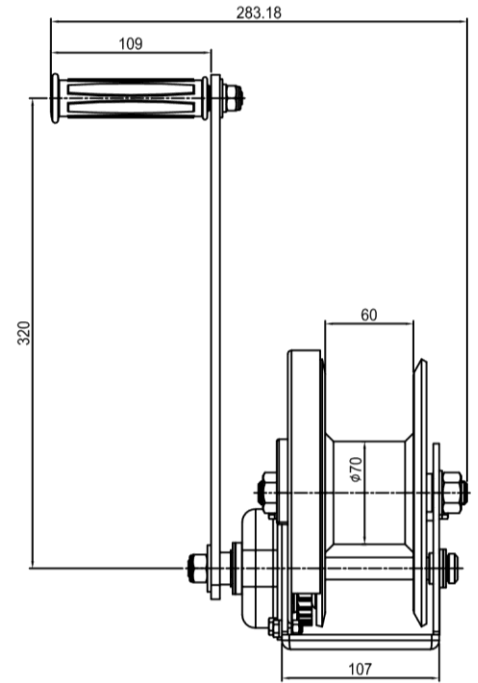


BHW-1200-N

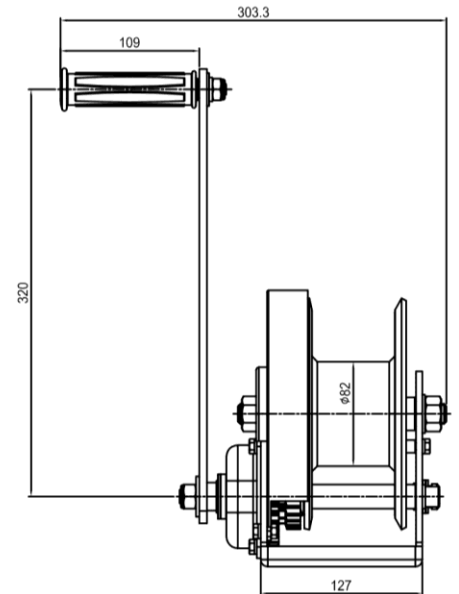




BHW-1800



BHW-2600



Due to our policy of continual product development, dimensions, weights and specifications may change without prior notice. Please check with your Tiger sales team when ordering.





6. Product Warranty and Warnings

Definitions

'Customer' means the individual, firm, company or other party with whom the Company contracts;

'Company' means Tiger Lifting UK Limited or Woo Sing Industrial Co., Ltd;

'Contract' the contract between the Company and the Customer for the sale and purchase of this product;

'Defective Goods' goods, parts or materials, which by reason of fault or incorrect design or workmanship, are found to be defective or fail or are unable to perform in accordance with a Contract;

One Year Limited Warranty

The Company makes every effort to assure that its products meet high quality and durability standards and extends the following warranty to the Customer of new products manufactured by the Company:

1. The Company warrants that this product, when shipped, shall be free from defects in materials and workmanship under normal use and service and the Company shall, at its election, repair or replace free of charge any Defective Goods, provided that all claims for defects under this warranty shall be made in writing immediately upon discovery and, in any event, within one (1) year from the date of purchase of this product by the Customer and provided, further, that Defective Goods shall be kept for examination by the Company or its authorised agents or returned to the Company or an authorised service centre upon request by the Company.
2. The Company does not warrant components of products provided by other manufacturers. However to the extent possible, the Company will assign to the "Purchaser" applicable warranties of such other manufacturers.
3. Except for the repair or replacement mentioned in (1.) above, which is the Company's sole liability and Customer's exclusive remedy under this warranty, the Company shall not be responsible for any other claims arising out of the purchase and use of this product, regardless of whether the Customer's claims are based on breach of contract, tort (including negligence), breach of statutory duty, or otherwise, including claims for any loss of profit, goodwill or business opportunity or any indirect or consequential loss arising under or in connection with the Contract.
4. This one year limited warranty is conditional upon the installation, maintenance and use of this product pursuant to the product manuals prepared in accordance with content instructions by the Company. The warranty on this product does not apply to defects due directly or indirectly to misuse, abuse, negligence or accidents. This warranty does not apply if the product has been subjected to improper fittings, alignment or maintenance.
5. The Company shall not be responsible for any loss or damage caused by transportation, prolonged or improper storage or normal wear and tear of this product or for loss of operating time.
6. This warranty shall not apply to this product if it has been fitted with or repaired with parts, components or items not supplied or approved by the Company or which have been modified or altered.
7. The Company limits all implied warranties to the period specified above from the date the product was purchased by the Customer.
8. Except as stated herein, any implied warranties or merchantability and fitness are excluded.

If our inspection discloses a defect, the Company will repair, replace the product or refund the purchase price, if we cannot readily or quickly provide a repair or replacement and if you are willing to accept such refund. The Company will return repaired or replacement products at The Company's expense, but if it is determined there is no defect, or that the defect resulted from causes not within the scope of Tiger Lifting's warranty, then the Customer must bear the cost of storing and retrieving the product.

! WARNING

The use of this product is beyond the control of Tiger Lifting. The warranty of this product is limited to the replacement cost of this product should it be found to be defective in material and/or workmanship. The warranty is void if the machine is damaged, worn or used improperly. Normal wear and tear is not considered grounds for replacement. The Tiger Lifting product warranty does not apply where there has been excessive overloading of the machine.

Disclaimer

We believe that the information in this document, including technical information and any advice, is reliable although we give no guarantee as to its accuracy or completeness. The user of our products must determine if the product, either used alone or conjunction with other products, is suitable for their purpose and assumes all risk and liability in connection with those decisions. We have made every effort to make sure this document is accurate. The information contained in this document does not form part of any contract.

Please also refer to our terms and conditions which can be found at: www.tigerlifting.com/terms-conditions/



Tiger HQ Taiwan

Woo Sing Industrial Co., Ltd
6F, No. 118-1,
ZhongZheng Road
Shilin Dist.,
Taipei City
11145
Taiwan

 +886-2-2831 3035
 +886-2-2834 0188
 info@tigerlifting.com.tw

Tiger North America

Tiger Lifting NA
38381 N. Robert Wilson Rd.
Gonzales, Louisiana
70737
USA

 +1 225-647-1312
 +1 833-681-3057
 sales@tigerliftingna.com

www.tigerlifting.com



Tiger UK and Europe

Tiger Lifting UK Limited
Unit 1, Greensfield Industrial Estate,
Willowburn Avenue,
ALNWICK,
NE66 2DG
UK

 +44 1665 605130
 +44 1665 603185
 info@tigerlifting.com

 Representative in Europe

Tiger China – Sales Office

 +86 (0) 21 3133 2638
 +86 138 2377 3024
 info@tigerlifting.com.cn



© Copyright Tiger Lifting UK Limited. No part of this manual shall be reproduced, transmitted, transcribed, translated into any language human or electronic, stored in any electronic retrieval system, in any form without the written permission of Tiger Lifting UK Limited, Alnwick, UK

www.tigerlifting.com

Instruction Guide Tiger BHW En 201803 v1.0

